

## 11.1 Ordering Parts

For your convenience, replacement parts and accessories can be ordered from ARPAC<sup>®</sup> by fax 24 hours a day. Please have the following information available to ensure quick, easy, and accurate service.

- Your name and telephone number
- Your P.O. (Purchase Order) number
- Your preferred method of delivery

### 11.1.1 Replacement Parts Policy & Contact Information

Should a replacement part be needed, ARPAC<sup>®</sup>'s return material authorization policy must be adhered to. ARPAC<sup>®</sup> will not distribute equipment or parts without a purchase order from an authorized ARPAC<sup>®</sup> distributor. This procedure includes warranty and non-warranty replacement parts. A return authorization will be issued at that time, and credit will not be issued until the suspect part has been received and inspected. Call ARPAC<sup>®</sup> sales for the distributor in your area at (847) 678-9034.

#### **ARPAC<sup>®</sup> Parts Contact Information**

**Phone: (847) 678-9034**

**Fax: (847) 678-2109**

**24 Hour Emergency Service: (800) 424-0545**

**parts@arpac.com**

**Open for service Monday through Friday,  
7:00 AM to 6:00 PM (Central Time)**

## 11.2 How to Use This Parts List

### 11.2.1 General Part Numbers

This chapter contains all part numbers necessary to order Pro Series LPC replacement parts and assemblies.

This illustrated parts breakdown is presented in disassembled order. Detail parts are shown below their respective upper level assemblies whenever possible.

The parts lists follow the illustration for a particular assembly and represent components of that assembly. The number listed in the quantity column is the number of the specific part required to complete the assembly and may not reflect the quantity needed for the entire system.

The lists are divided into four columns. The item/index numbers refer to the identification number located on the drawing. The part number is the Arpac part number, used to identify the part for ordering. The part description column lists each part name, and the quantity column lists the quantity of that part used in that particular assembly.

Illustrations are shown before the parts list for each assembly.

## 11.3 Commonly Ordered Parts

Part Description	Part number
Drive, DC, 1/4-1 H.P. 90VDC	804012.190
Drive, Regenerative 1/4-1H.P.	804012.182
Magnet, Rectangular Pressure Sensitive Adhesive	822976.
Fuse, Glass AGC 8 Amp/250VAC	804998.231
Fuse-Glass AGC 2 Amp/250VAC	803998.226
Fuse-Glass AGC 10 Amp/250VAC	803998.233
Link, Connecting, #40	800502.
Link, Connecting, Offset #40	800523.
Link, Connecting, #50	800505.
Link, Connecting, Offset #50	800522.
Caster Wheel Assembly	205114.000A
Pro-Series LPC Installation, Operation & Service Manual	100003.284
Spare Parts Kit - Wrap & Weigh	237442
<b>Consists of:</b>	
Base to Tower Cable Assembly	237441
Connector, 10P, Insert Female 16A	825005.057
Connector, 10P, Base, Panel Mount, Single Lock	825005.053
Grommet, 1" Hole, Rubber	825012
Load Cell, 4K, Pennsylvania Scale	804998.503
Trim Board - Pennsylvania Scale	821096
Scale, Digital Readout - Pennsylvania Scale	821093
Connector, Strain Relief	804994.912
Spare Parts Kit - Fuses	206456
<b>Consists of:</b>	
5 Fuses, 2 AMP/250VAC	804998.226
5 Fuses, 8 AMP/250VAC	804998.231
1 Magnet, Round With Pressure Sensitive Adhesive Backing	822977

Table 11-1: Commonly Ordered Parts

## 11.4 Overall Assembly

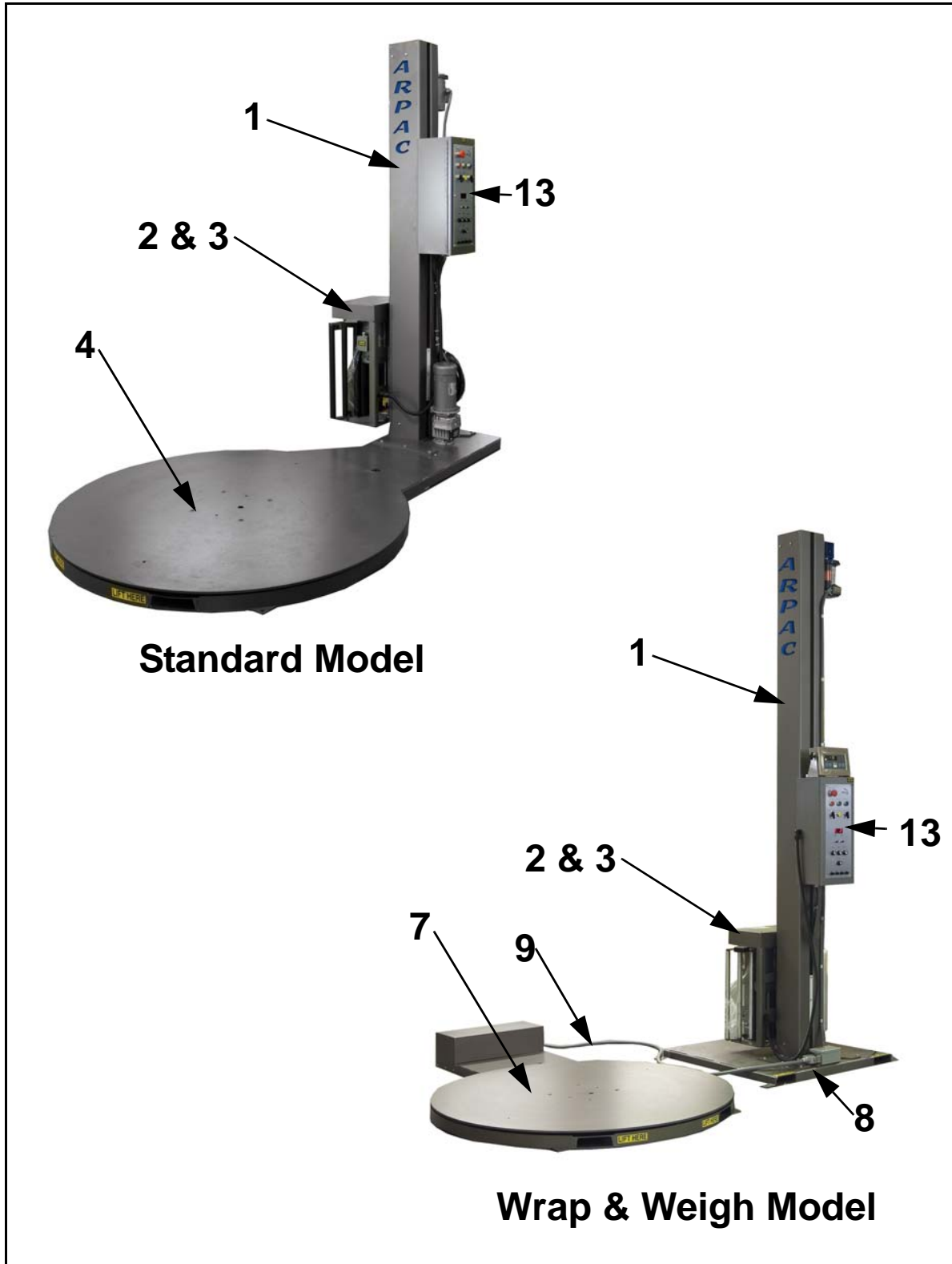


Figure 11-1. Overall Assembly

Fig ref.	Part number	Description	Qty
1	229987.000A	Top Drive Tower Assembly (See Section "11.5 Top Drive Tower Assembly" on page 11-6 for breakdown of assembly)	1
2	224855.000C	Side Mounted Film Saver Assembly (See Section "11.6 Side Mounted Film Saver Assembly" on page 11-8 for breakdown of assembly)	1
3	256956	Swift Change Film Roll Support Assembly (See Section "11.7 Swift Change Film Support Roll Assembly" on page 11-11 for breakdown of assembly)	1
4	252949	Base Assembly (See Section "11.8 Base Assembly (4000lb Capacity, 59.5" Dia)" on page 11-12 for breakdown of assembly)	1
5	221410	Parts Kit, 200% Stretch, Film Saver	1
6	235230	Kit, Paint, Steel It, Semi-Auto	1
7	252047	Base Assembly - Wrap & Weigh Option (See Section "11.9 Base Assembly - Wrap & Weigh Option" on page 11-14 for breakdown of assembly)	1
8	237633	Tower Base Assembly - Wrap & Weigh Option (See Section "11.10 Tower Base Assembly - Wrap & Weigh" on page 11-16 for breakdown of assembly)	1
9	237441	Cable Assembly, 8ft	1
12	206456	Kit, Fuse, SW Pro-Series	1
13	241645	Pro-Series Control Assembly (See Section "11.11 Control Assembly (Part 1)" on page 11-18 and Section "11.12 Control Assembly (Part 2)" on page 11-20 for breakdown of assemblies)	1

Table 11-2: Overall Assembly



Fig ref.	Part number	Description	Qty
1	229994.	Weldment, Carriage	1
2	229988.	Weldment, Tower	1
3	202169.002	Shaft, 0.625", Tapped 1/4'-20, 7.640" Long	1
4	229997.	Cover, Top	1
5	229989.	Drive Shaft	1
6	229634.	Plastic Guide	1
7	800562.	Collar, Shaft, Set Screw, 3/4"	2
8	204835.	Coupling, Chain Adjustment	1
9	221607.	Bracket, Magnet, Tower, Right	1
10	238493.	Plate, Cover, Plexiglass	1
11	823638.	Flange, Extended Output Gearbox	1
12	230030.	Tape, Slit	2
13	821786.	Gearbox, Worm	1
14	823673.	Motor, 1/3 H.P.	1
15	821168.	Sprocket	1
16	802744.	Bearing, Flange	1
17	800906.	Sprocket	1
18	823533.	Chain, Roller #40, 312 Pitches 156"	1
19	800502.	Link, #40	1
20	804994.913	Connector, Strain Relief	1
21	820234.	Wheel, Caster	4
22	800325.016	Bolt, Shoulder, 5/8" Dia. X 1 3/4"	4
23	820598.	Nut, Hex, 1/2"-13, Nylon Jam	4
24	807258.	Washer, Oilite	1
25	800560	Collar, Shaft, Set Screw, 5/8"	2
26	822425	Tape, Double Sided, 3/4"	.07"
27	800275.071	Washer, Flat 5/8" X 1 1/4" X 14 ga.	4

Table 11-3: Top Drive Tower Assembly

## 11.6 Side Mounted Film Saver Assembly

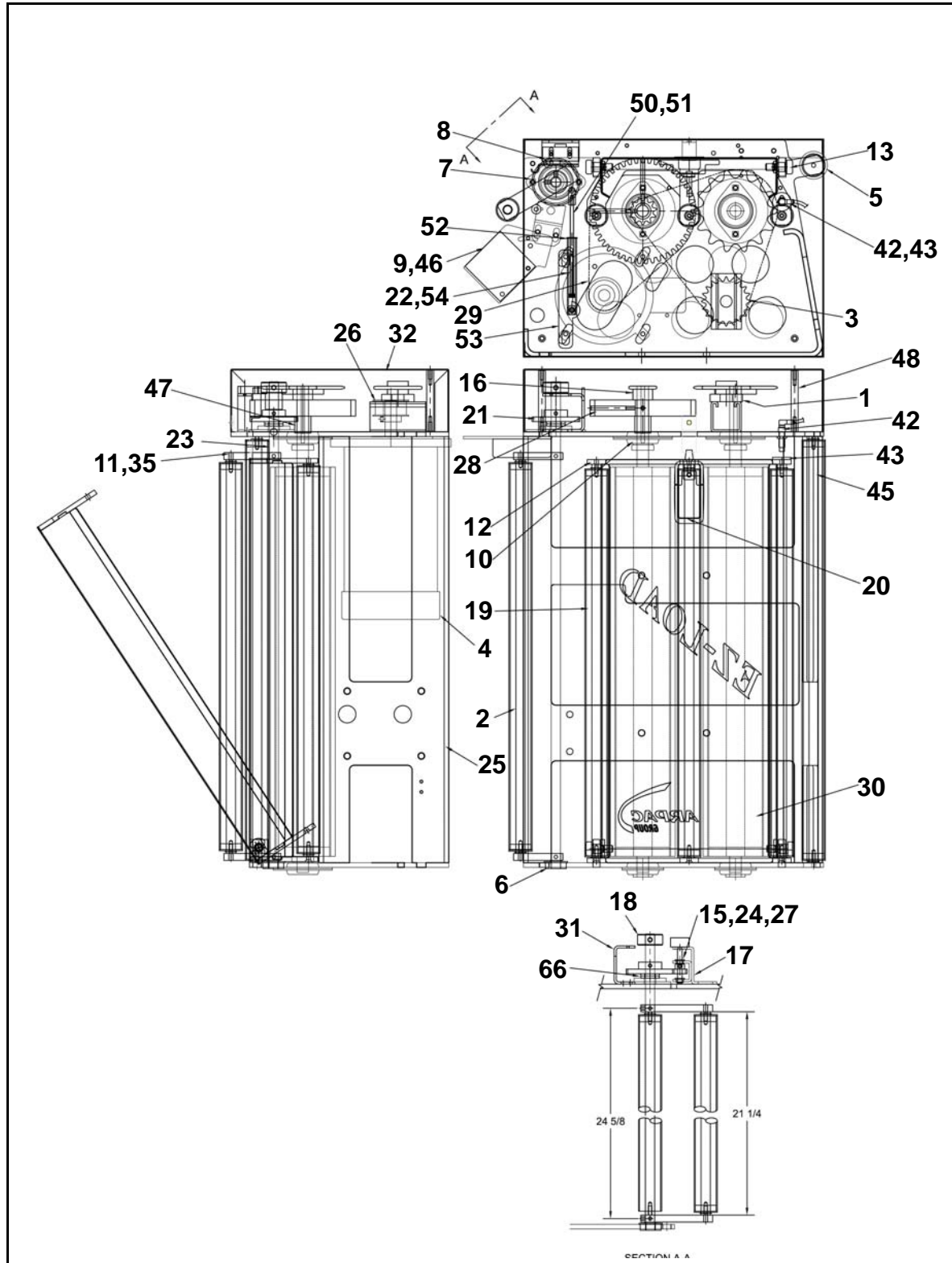


Figure 11-3. EZ/Pro Side Mounted Film Saver Assembly



Fig ref.	Part number	Description	Qty
1	224978.	Spacer, Idler Sprocket	1
2	224903.	Shaft, Roller	4
3	800912.	Sprocket	1
4	823674.	Motor, 1/2 H.P.	1
5	214611.003A	Roller Assembly	1
6	820115.	Bearing Flange Rad	1
7	821470.	Bearing Flange	1
8	101412.	Stop Lever, Transfer Rack Film	2
9	804007.165	Photo Sensor	1
10	820086.	Bearing Flange Black	4
11	224913.	Plate, Dancer Bar	2
12	224856.	Weldment, Roller Cage, 20" Film	1
13	800324.003	Bolt, Shoulder, 1/2 Dia. X 1/2" Lng	2
14	241144.	Motor Mounting Ring Spacer	1
15	820126.	Bushing, Oilite	2
16	821152	Sprocket	1
17	214477	Weldment, Pot Mounting Bracket	1
18	800561	Collar, Shaft Set Screw	1
19	214611.002A	Roller Assembly	5
20	822924.	Latch, Lift & Turn Compression	1
21	218352	Gear, Spur	1
22	825104.	Spring, Compression	1
23	211969.000A	Shaft, Dancer	1
24	804998.351	Pot, 10K Ohm	1
25	224866	Weldment, Film Saver Frame	1
26	821477	Pulley, Timing	1
27	820827	Gear, Spur	1
28	230209	Pulley, Timing	1
29	823049	Belt, Timing	1
30	211973.000C	Weldment, Final, Roller	2
31	214480.	Bracket, Microswtch Mounting	1
32	224905.001	Guard, Film Saver, Right Hand	1
33	804998.553	Switch-Limit	1
34	800292.019	Washer, Lock Split 5/8"	1
35	800317.010	Pin, Roll 3/16" Dia X 1 Lg	2
37	800275.065	Washer, #8 Flat	2

Table 11-4: EZ/Pro Side Mounted Film Saver Assembly (1 of 2)

Fig ref.	Part number	Description	Qty
38	800328.006	Socket Head Screw 1/4"-20 X 3/4"	1
39	800341.005	Screw, Set, 10-32 X 1/2"	2
40	800328.013	Socket Head Screw 1/4"-20 X 1 1/4	1
41	800325.003	Shoulder Bolt	1
42	804006.121	Proximity Sensor	1
43	822976.	Magnet	.5"
44	800267.003	Flat Head Screw 1/4-20 X 1/2 SS	2
45	224903.001	Roller Shaft	1
46	224955.	Plate, Mounting	1
47	224977.	Spacer, Pulley	1
48	229619	Spacer, Mounting Cover	1
49	800292.005	Washer, 1/4" Split Lock	10
50	800246.040	Socket Head Screw 10-32 X 5.5"	1
51	237929.	Clevis, Spring	1
52	237928	Retainer, Spring	1
53	237930.001	Weldment, Spring Mounting Bracket	1
54	825143.	Bushing, Oilite	3
55	800322.003	Shoulder Bolt, 5/16" X 5/8" Lg	1
56	800321.002	Shoulder Bolt, 1/4" X 3/8" Lg	1
57	815213.	Washer, Oilite	2
58	811314.	Washer, Oilite	2
59	800292.012	Washer, 3/8" Split Lock	8
60	817011.002	Washer, 5/16" External Lock	1
61	800238.009	Binder Head Screw, 10-32 X 1 1/2"	1
62	800238.005	Binder Head Screw, 10-32 X 3/4"	4
63	800282.012	Hex Head Bolt, 3/8"-16 X 1 1/4"	4
64	800282.006	Hex Head Bolt, 3/8"-16 X 3/4"	4
65	800278.011	Hex Head Bolt, 1/4"-20 X 1/2"	10
66	800275.023	Washer, Flat 1/2" Hardened	2
67	800292.001	Washer, #10 Split Lock	9
68	800290.006	Nut, Hex 1/4"-20	1
69	800307.003	Screw, Pan Head, 6-32" X 1"	2
70	800238.002	Binder Head Screw, 10-32 X 3/8"	5

Table 11-5: EZ/Pro Side Mounted Film Saver Assembly (2 of 2)

## 11.7 Swift Change Film Support Roll Assembly

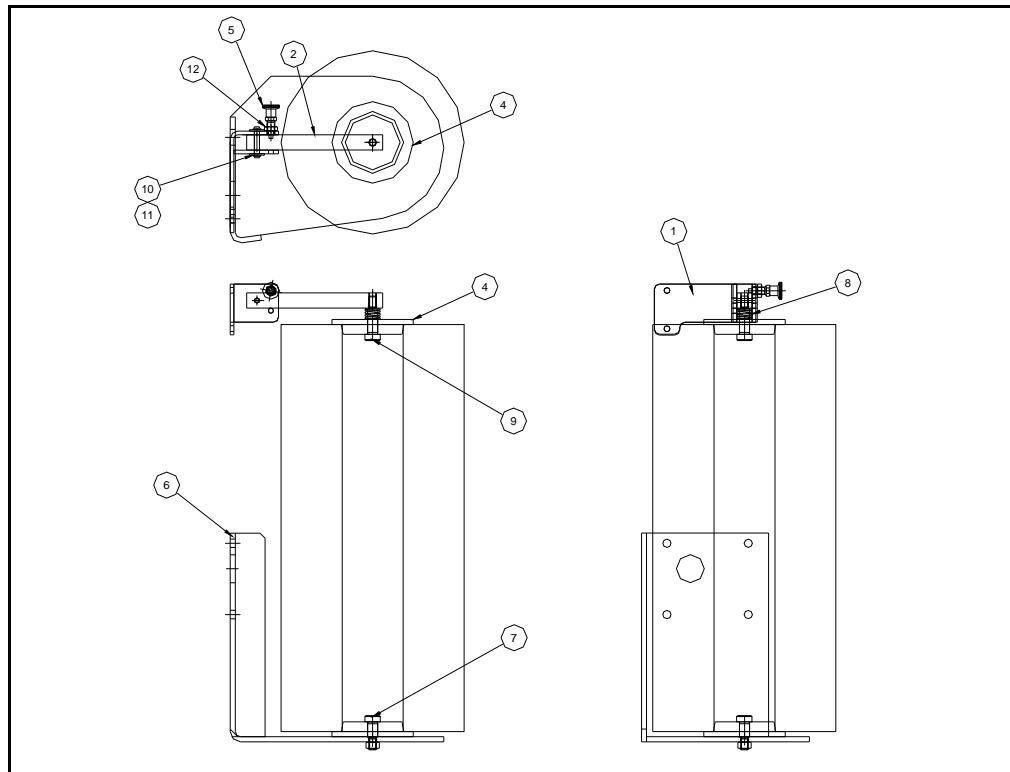


Figure 11-4. Swift Change Film Support Roll Assembly

Fig ref.	Part number	Description	Qty
1	255663	Film Roll Top Clamp Weldment	1
2	259626.001	Film Support Arm	1
4	224617	Thrust Bearing	2
5	810565	Plunger, Index	1
6	214497.002	Film Holder Weldment	1
7	800324.007	Bolt, Shoulder, 1/2" Dia X 3/4" Long	1
8	801031	Spring, Compression	1
9	800324.10	Bolt, Shoulder, 1/2" Dia. X 1 1/4"	1
10	838905	Clevis Pin 1/4" OD X 1 1/4 Long	2
11	800275.004	Flat Washer 1/4"	4
12	823229	Nut, Hex, Jam 3/8" - 24	1

Table 11-6: Swift Change Film Support Roll Assembly

## 11.8 Base Assembly (4000lb Capacity, 59.5" Dia)

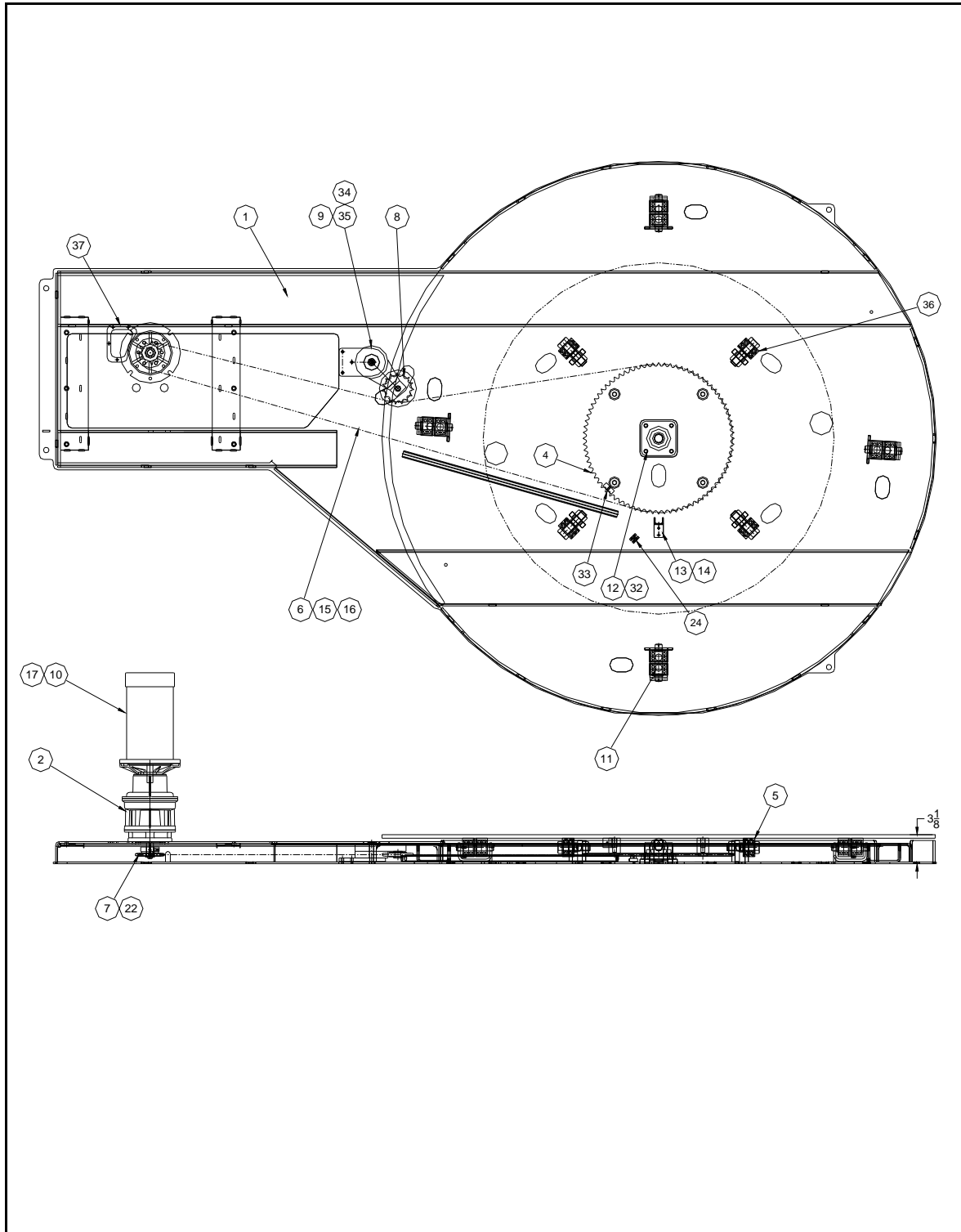


Figure 11-5. Base Assembly (4000lb Capacity, 59.5" Dia)

Fig ref.	Part number	Description	Qty
1	252949	Weldment Base	1
2	823639	Gearbox	1
4	234814	Weldment, Drive Sprocket	1
5	229964	Turntable, 59.5" Dia	1
6	823617	Chain, Roller, #50 225 Pitches, 140.625" lg	1
7	823678	Sprocket	1
8	800905	Sprocket	1
9	224963	Plate, Mounting, Take Up	1
10	823674	Motor, 1/2 H.P.	1
11	205939	Roller Assembly	4
12	820091	Bearing, Flange, 1" ID, 4 Bolt	1
13	224967	Mounting Bracket, Prox Switch, LP	1
14	804006.121	Proximity Sensor	1
15	800505	Link, #50	1
16	800522	Link, #50 Offset	1
17	804011.104	Cord Connector	1
22	810778-004	Fender Washer, 1/4" X 1"	1
24	804998.703	Terminal Strip	1
32	802207	Grease Fitting, 90 Degree	1
33	822976	Magnet, Rect, 3/16 X 3/4" X 2"	1
34	822957	Shoulder Bolt, 7/16-20 X 2	1
35	807279	Spring Tensioner	1
36	252948	Roller Assembly	4
37	253182	Cover Plate, Chain	1

Table 11-7: Base Assembly Wrap & Weigh Option

## 11.9 Base Assembly - Wrap & Weigh Option

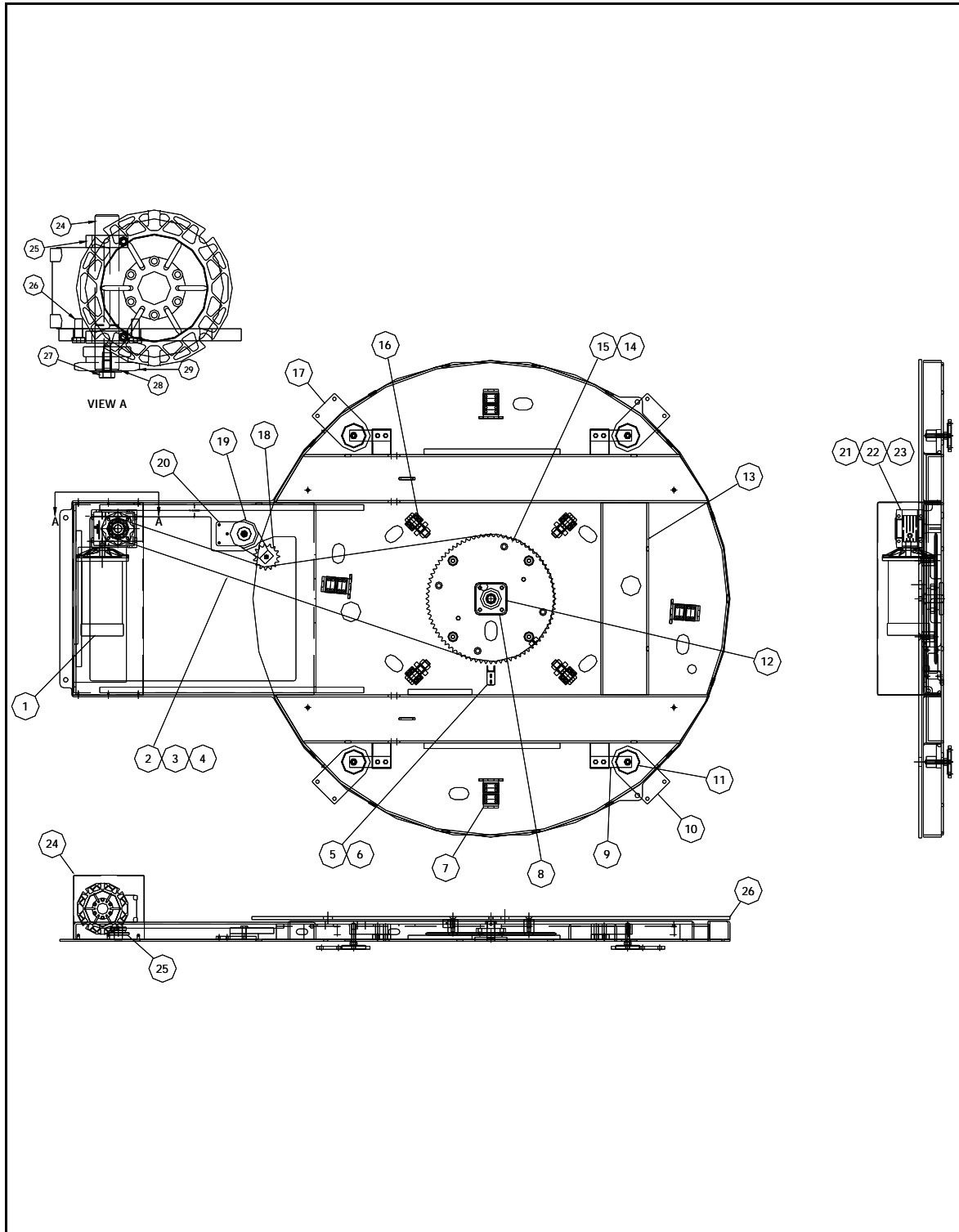


Figure 11-6. Base Assembly (4000lb Capacity, 59.5" Dia)

Fig ref.	Part number	Description	Qty
1	823674	Motor, 1/2 H.P.	1
2	823617	Chain, Roller, #50 225 Pitches, 140.625" lg	1
3	800505	Link, #50	1
4	800522	Link, #50 Offset	1
5	804006.121	Proximity Sensor	1
6	224967	Bracket, Mounting, Proximity Switch	1
7	205939	Roller Assembly	4
8	820091	Flange Bearing	1
9	207386	Spacer, Scale Beam	4
10	823674	Motor, 1/2 H.P.	4
11	207387.000A	Scale Pedestal Weldment	4
12	802207	Grease Fitting, 90Deg, 1/4-28 Tapered	1
13	252032	Weldment Base, WNW & Split	1
14	822976	Magnet, Rect, 3/16 X 3/4" X 2"	1
15	234814	Weldment, Drive Sprocket	1
16	252948	Roller Assembly	4
17	237442	Kit Parts Base, Wrap & Weigh	1
18	800905	Sprocket	1
19	807279	Spring Tensioner	1
20	224963	Plate, Mounting, Take Up	1
21	821002	Gearbox, Worm	1
22	252034	Cover, Motor	1
23	229964	Turntable, 59.5" Dia	1
24	251224	Shaft, Gearbox, 1" Dia	1
25	800600	Collar, Shaft, Clamp	2
26	823045.001	Shoulder Bolt, M8 X 20MM	4
27	800282.002	Cap Screw, 3/8"-16 X 1/2"	1
28	810778.003	Fender Washer, 3/8" X 1 1/4"	1
29	821194	Sprocket 1" ID	1
	804996.936	Panel, Enclosure. 8" X 6"	1
	804997.804	Enclosure, Electrical	1
	804998.503	Load Cell, Pennsylvania Scale, 4K	4

Table 11-8: Base Assembly (4000lb Capacity, 59.5" Dia)

## 11.10 Tower Base Assembly - Wrap & Weigh

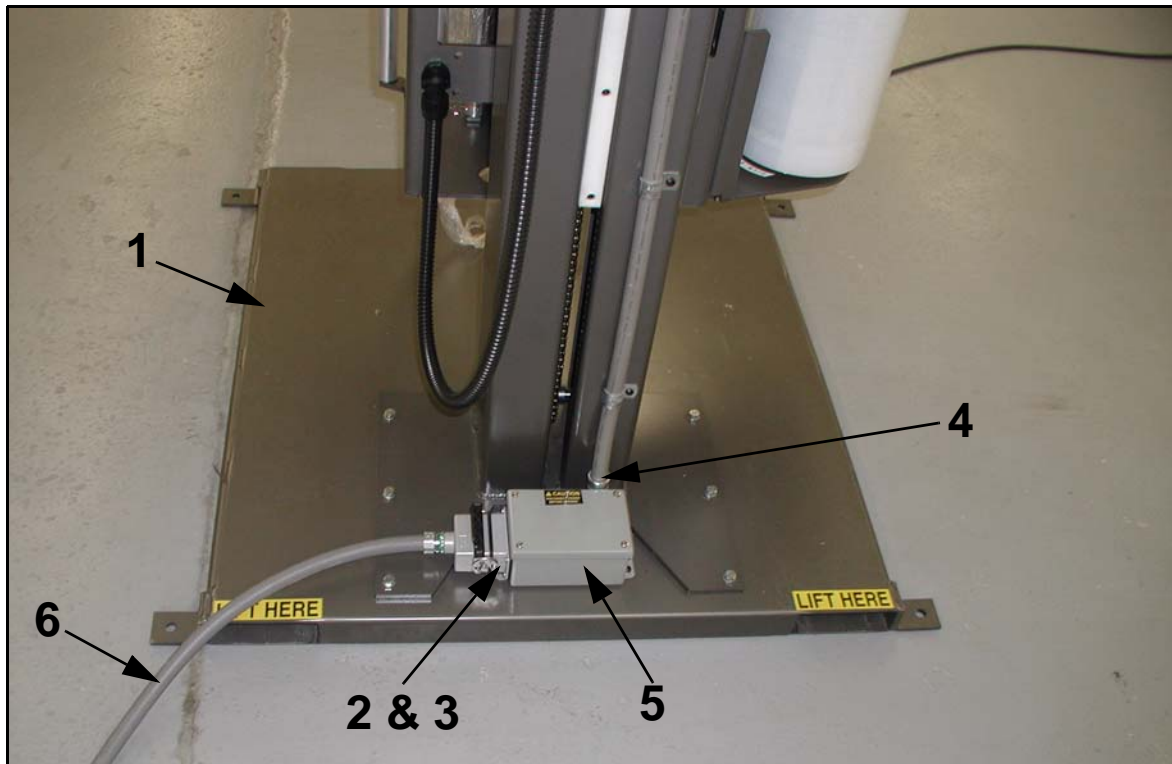


Figure 11-7. Tower Base Assembly - Wrap & Weigh

Fig ref.	Part number	Description	Qty
1	229668	Weldment, Split Frame Tower Base	1
2	825005.056	Connector, 10P, Insert, Female 16A	1
3	825005.053	Connector, Base, PNL Mount Single Lock	1
4	804011.104	Conduit, Connector , 0.375" 90 Deg	1
5	804014.125	Enclosure	1
6	237441	Base to Tower Cable Assembly	1

Table 11-9: Tower Base Assembly - Wrap & Weigh



Page Intentionally Blank

## 11.11 Control Assembly (Part 1)

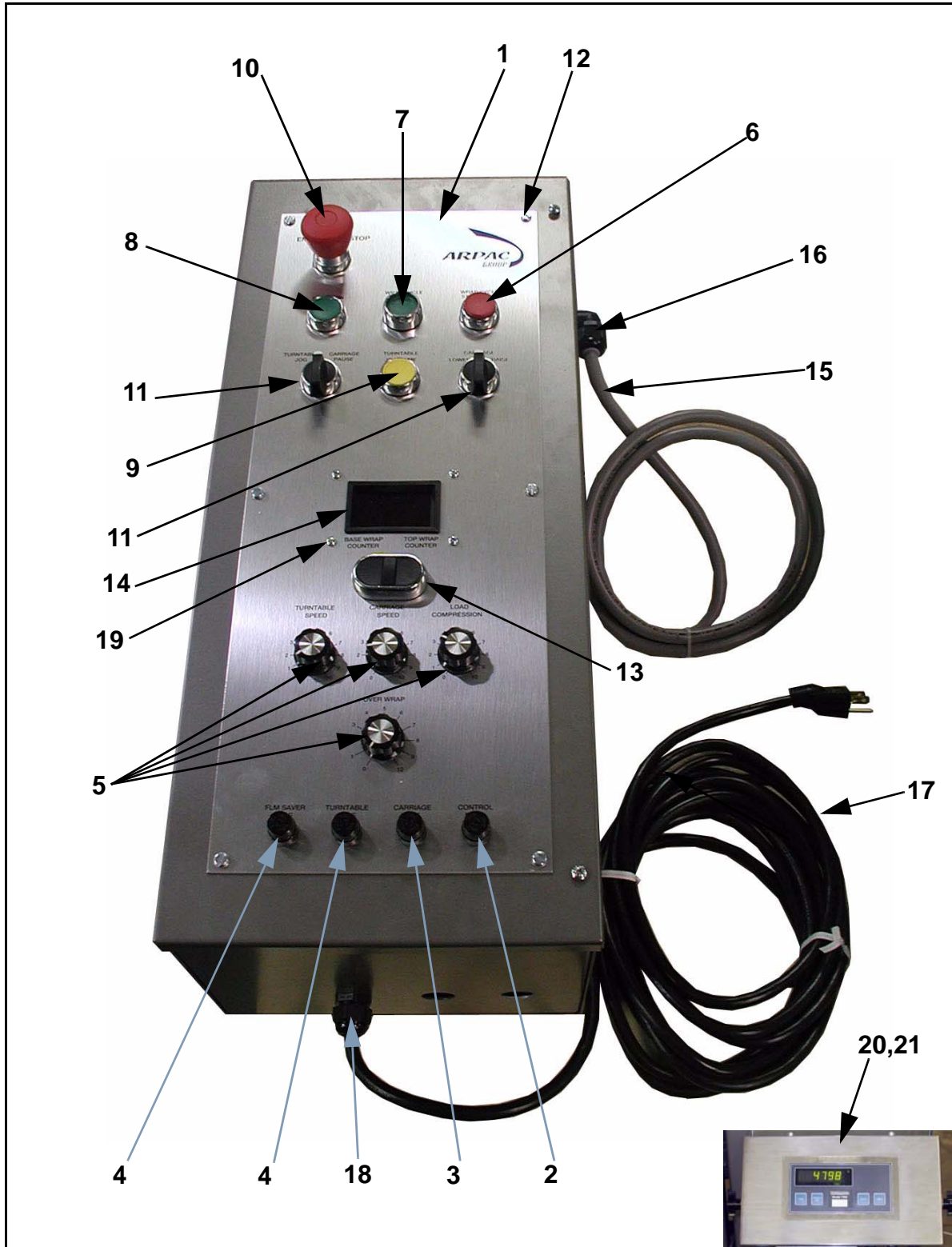


Figure 11-8. Control Assembly (Part 1)

Fig ref.	Part number	Description	Qty
1	235212.	Cover, Control Panel	1
2	804998.226	Fuse, Glass AGC, 2 Amp 250VAC	1
3	804998.231	Fuse, Glass AGC, 8 Amp 250VAC	1
4	804998.233	Fuse, Glass, AGC, 10 Amp 250VAC	2
5	804998.313	Knob	4
6	804004.170	Push Button, Red	1
7	804004.173	Push Button, Green	1
8	804004.168	Push Button, Green	1
9	804004.172	Push Button, Yellow	1
10	804004.175	Push Button, Mushroom Head	1
11	804021.031	Selector Switch	2
12	800308.007	Screw, Pan Head, 8-32 X 1"	6
13	804004.176	Pushbutton, 2 Position	1
14	820864	Lens - Bezel & Filter	1
15	804003.150	Cable, 18 AWG, 3 Cond w Gnd	1
16	804010.179	Connector, 90 Degree, Strain Relief	1
17	205905	Power Cord Assembly	1
18	804010.178	Connector, Strain Relief	1
19	800312.002	Screw, Pan Head Phillips, 6-32 X 3/8"	4
20	821096	Trim Board - Pennsylvania Scale	1
21	821093	Digital Readout - Pennsylvania Scale	1

Table 11-10: Control Assembly (Part 1)

## 11.12 Control Assembly (Part 2)

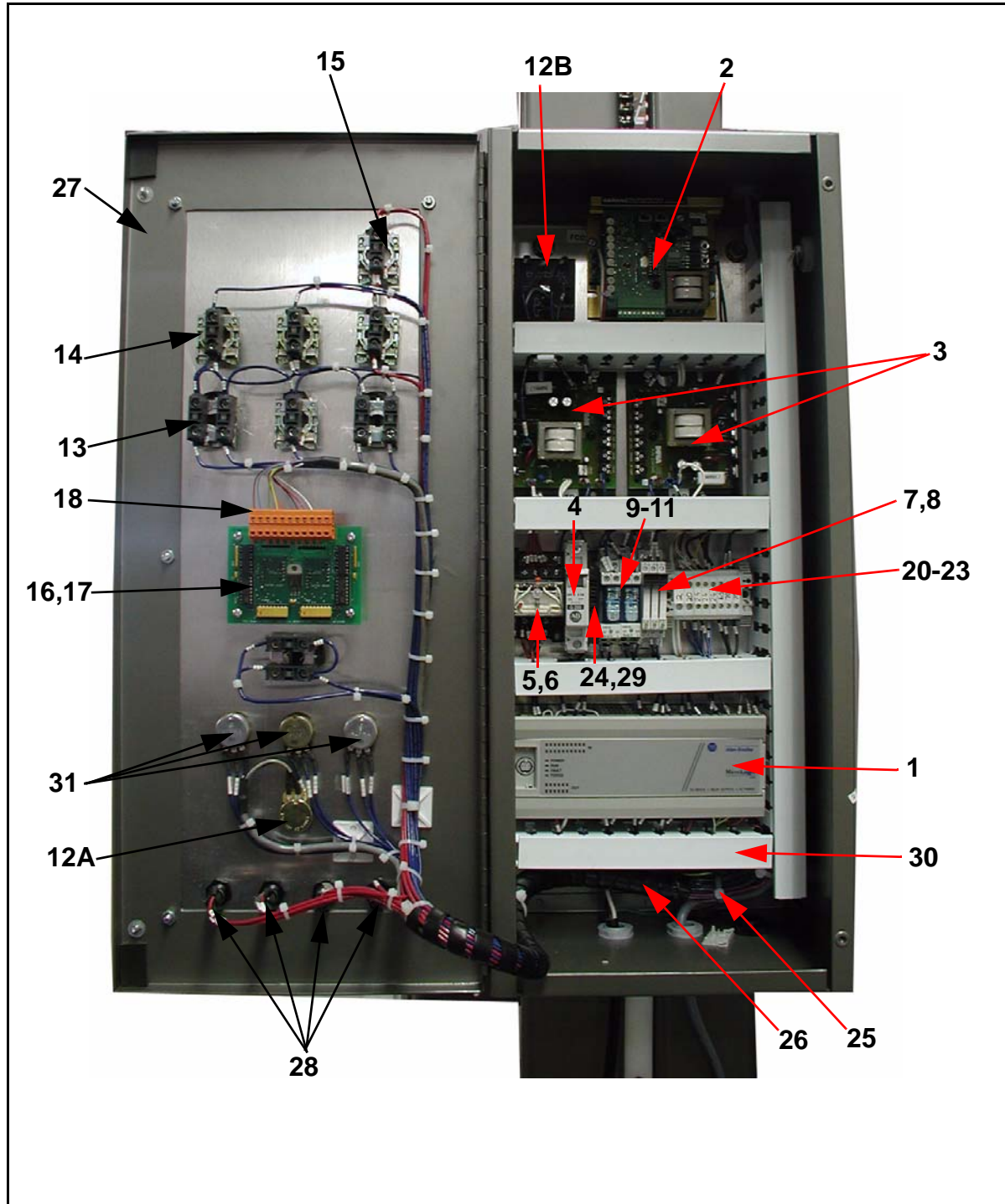


Figure 11-9. Control Assembly (Part 2)

Fig ref.	Part number	Description	Qty
1	804005.284	PLC, MLX 1000	1
2	804012.182	Drive, Regenrative 1/4-1HP	1
3	804012.190	Drive, DC, 1/4 HP 90 VDC	2
4	804000.011	Circuit Breaker, 20 Amp	1
5	804008.087	Relay, 4 Pole, 10A, 120VAC	1
6	804008.088	Relay Socket for 4 Pole Relay	1
7	804008.089	Relay, 1 Pole 6A, 24VDC	3
8	804008.112	Relay Jumper, Extra Slim Blue	1
9	804008.105	Relay, 2 Pole, 8A, 24VDC DPDT	2
10	804008.116	Relay, Diode	2
11	804008.103	Relay, Socket, 8 Blade for 2 Pole	2
12A & 12B	804008.101	Relay, Time Off Delay Kit	1
13	804004.180	Push Button Latch	8
14	804004.177	Push Button Contacts, 22mm 1NO/0/NC	9
15	804004.178	Push Button Contacts, 22mm 0NO/1/NC	2
16	211650	Counter Display	1
17	804998.517	Nylon Spacer	4
18	804998.025	Connector	1
19	804008.098	Relay Marker	1
20	804022.013	Terminal Block	9
21	804022.033	Terminal Block, End Anchor	2
22	804022.062	Terminal Block, End Barrier	1
23	804022.091	Terminal Block, Jumper Strip	1
24	804022.029	Terminal Block, High Density	1
25	804010.087	Connector, Burndy	1
26	235213	Plate, Electrical Panel	1
27	229880	Electrical Enclosure	1
28	804998.241	Fuse Holder	4
29	804015.150	Fuse, 0.25A 250V Fast Acting Glass	1
30	804039.002	Wire Duct	4
31	804998.350	Pot-10K Ohm, Single Short Stem	1

Table 11-11: Control Assembly (Part 2)

