



ISO Registered Company



# Model P5

## Piston Sensing Single Stage Pressure Reducing Regulator

The Model P5 is designed for gases and liquids with inlet pressures up to 3600 psig (248 Barg). Standard adjustable outlet ranges from 50-1500 psig (3.4-103 Barg). Flow coefficient of 0.06. This general purpose use regulator can be ordered with a variety of options to meet your system demands.

### TYPICAL APPLICATIONS

- Injection Moulding Equipment
- High Pressure Gas Booster Systems
- Gas Cabinets
- Research & Development Laboratories

### GENERAL SPECIFICATIONS

Inlet & Outlet Port Size:	1/4", 3/8" & 1/2" (DN8, DN10 & DN15)
Maximum Inlet Pressure:	3,600 psig (248.2 Barg)
Outlet Pressure:	50-1500 psig (3.4-103 Barg)
Body End Connections:	FNPT
Body & Spring Chamber Material:	Electropolished 316L SST/316L SST
Wetted Material:	316L SST Piston, Seat Retainer & Poppet, Inconel X-750 Spring
Temp. Limits:	
PCTFE	-45 to 185°F (-42.7 to 85°C)
Buna-N	-55 to 225°F (-48.2 to 107°C)
FKM	-20 to 300°F (-28.9 to 149°C)
Operating Temp. Range:	-20 to 300°F (-28.9 to 149°C)
Composite Knob: (Standard)	-50 to 200°F (-45.6 to 93°C) For temperatures outside (Std.) knob range see Option for Colored Knobs.

### FEATURES

- General Purpose
- Non-venting Standard
- Compact & Lightweight
- Panel or Surface Mounting
- Safe & Reliable Piston Design

### FUNCTIONAL PERFORMANCE

Design Proof Pressure:	150% of Max Operating Pressure 5,400 psig (372.3 Barg)
Internal Volume:	2.5 cc
Seat Leakage:	Bubble Tight
Design Leakage Outboard:	1x10 <sup>-5</sup> scc/sec He
Cv Capability:	0.06

## OPTIONS

**NACE Construction - ( 3 or 4 )** in Position 6. - Internal wetted portions meet NACE standard MR0175, when the exterior of the regulator is not directly exposed to a sour gas environment, buried, insulated or otherwise denied direct atmospheric exposure. 316L SST Piston, 316L SST Seat Retainer, Inconel X-750 Poppet Spring.

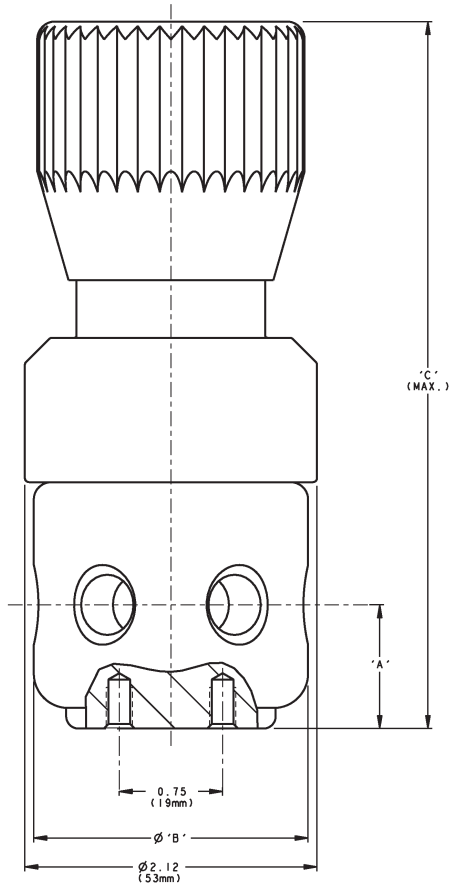
**Mounting Bracket - (5)** in Position 14. - The mounting bracket is a base, or step type. The material is 303 stainless steel. The bracket mounts to the back of the single stage, and back pressure regulators, via 10/32 screws.

**Panel Mount - (C)** in Position 14. - The panel mount feature requires a panel cut out of 1-3/8", complete with a threaded spring housing, and a panel mount ring to secure the regulator.

**Colored Knobs - (2, 8 and W)** in Position 15. - The control knob is anodized aluminum either in black, blue, green or red, compared to the standard red composite knob. This allows for color coding of processes. Temperature range: -55 to 300°F (-45.6 to 149 °C).

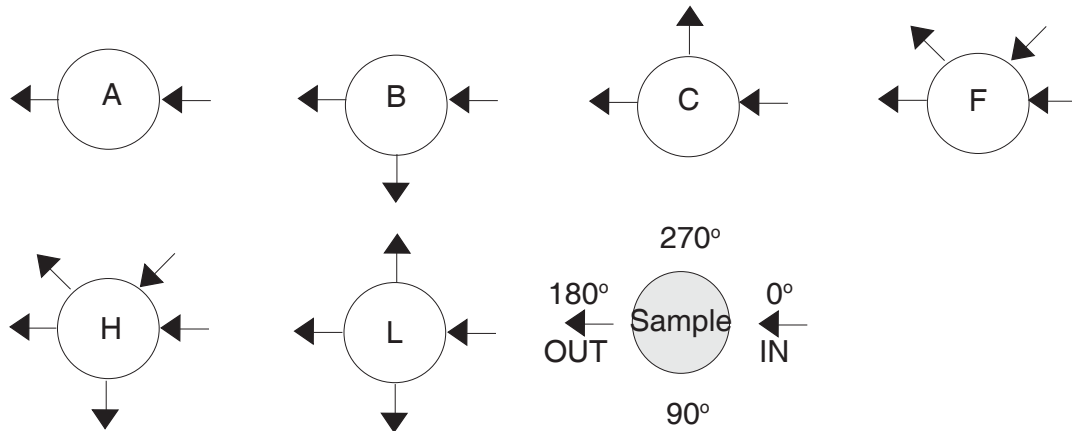
**Cleaned per Spec. #S-1542 - (N)** in Position 17. - Higher cleaning level than standard commercial cleaning. NOT suitable for Oxygen Service.

## DIMENSIONS



English Units In. & lbs.				
Size	A	B	C	Wt
1/4" & 3/8"	.90	2.00	5.13	2.2
1/2"	1.15	2.48	5.38	2.2
Metric Units mm & kg				
DN8 & DN10	23	50	130	1.0
DN15	29	63	137	1.0

### Porting Configuration Guide



The contents of this publication are presented for informational purposes only, and while every effort has been made to ensure their accuracy, they are not to be construed as warranties or guarantees, express or implied, regarding the products or services described herein or their use or applicability. We reserve the right to modify or improve the designs or specifications of such product at any time without notice. Cashco, Inc. does not assume responsibility for the selection, use or maintenance of any product. Responsibility for proper selection, use and maintenance of any Cashco, Inc. product remains solely with the purchaser.

**MODEL P5 PRODUCT CODER** 02/10/16  
**(COMPOSITE RED KNOB STANDARD)**

An "X" in POS 12 followed by a 5-digit control number overrides remaining selections.



POSITION 3 - BODY SIZE / Cv		
Size	Cv	CODE
1/4" (DN8)	0.06	2
3/8" (DN10)	0.06	5
1/2" (DN15)	0.06	8

POSITION 6 - STANDARD TRIM MATERIALS			
Piston, Seat Retainer, Poppet, Poppet Spring	O-ring Material	Std	NACE
		CODE	CODE
316L SST, 316L SST, 316L SST, Inconel X-750	FKM (std) *	1	3
	Buna-N **	2	4

\* FKM -20 to 300°F  
 \*\* Buna-N -55 to 225°F

POSITION 7 - PORTING CONFIGURATION	
Description	CODE
See Porting Guide	**** A
	** B
	** C
	*** F
	*** H
	** L

**NOTE:** When selecting from Positions 12 & 13, review following and select appropriate configuration code from above.

\*\* Outlet gauge port only  
 \*\*\* Inlet & outlet gauge ports  
 \*\*\*\* No gauge ports available

POSITION 8 - Product Classification Under European "Pressure Equipment Directive"		
PRODUCT DESTINATION	HAZARD CATEGORY	CODE
Anywhere except Europe	N/A	7
European Countries *	Sound Engineering Practice (SEP)	S

\* For products to be placed in service in Europe - Ref to Directive 97/23/EC. Forward Completed "EU" Application Recorder prior to quotation. (Without Recorder- Processing of Purchase Order will be delayed). Contact Cashco for Assistance.

POSITION 12 - OUTLET GAUGE (See "NOTE" - Position 7)		
Psig (Barg)	CODE	
0 - 2000 (0 - 137.9)	1	
No Outlet Gauge	0	
For Special Construction Contact Cashco for Special Product Code	X	

POSITION 13 - INLET GAUGE (See "NOTE" - Position 7)		
Psig (Barg)	CODE	
0 - 60 (0 - 4.1)	C	
0 - 100 (0 - 6.9)	D	
0 - 160 (0 - 11.0)	E	
0 - 300 (0 - 20.7)	F	
0 - 600 (0 - 41.4)	G	
0 - 1000 (0 - 69.0)	H	
0 - 2000 (0 - 137.9)	1	
0 - 3000 (0 - 206.9)	J	
0 - 5000 (0 - 344.9)	K	
No Inlet Gauge	0	

POSITION 14 - OPTIONS			
OPTIONS	CODE	OPTIONS	CODE
No Option	0	Panel Mount.	C
Mounting Bracket.	5		

POSITION 15 - OPTIONS			
OPTIONS	CODE	OPTIONS	CODE
No Option	0	Blue Knob.	8
Black Knob.	2	Red Knob.	W

POSITION 17 - OPTIONS	
OPTIONS	CODE
No Option	0
* Special Cleaning: Per Spec #S-1542.	N
* NOT suitable for Oxygen Service.	

Cashco, Inc.  
 P.O. Box 6  
 Ellsworth, KS 67439-0006  
 PH (785) 472-4461  
 Fax. # (785) 472-3539  
 www.cashco.com  
 email: sales@cashco.com  
 Printed in U.S.A. P5-TB

Cashco GmbH  
 Handwerkerstrasse 15  
 15366 Hoppegarten, Germany  
 PH +49 3342 30968 0  
 Fax. No. +49 3342 30968 29  
 www.cashco.com  
 email: germany@cashco.com

Cashco do Brasil, Ltda.  
 Al.Venus, 340  
 Indaiatuba - Sao Paulo, Brazil  
 PH +55 11 99677 7177  
 Fax. No.  
 www.cashco.com  
 email: brazil@cashco.com