

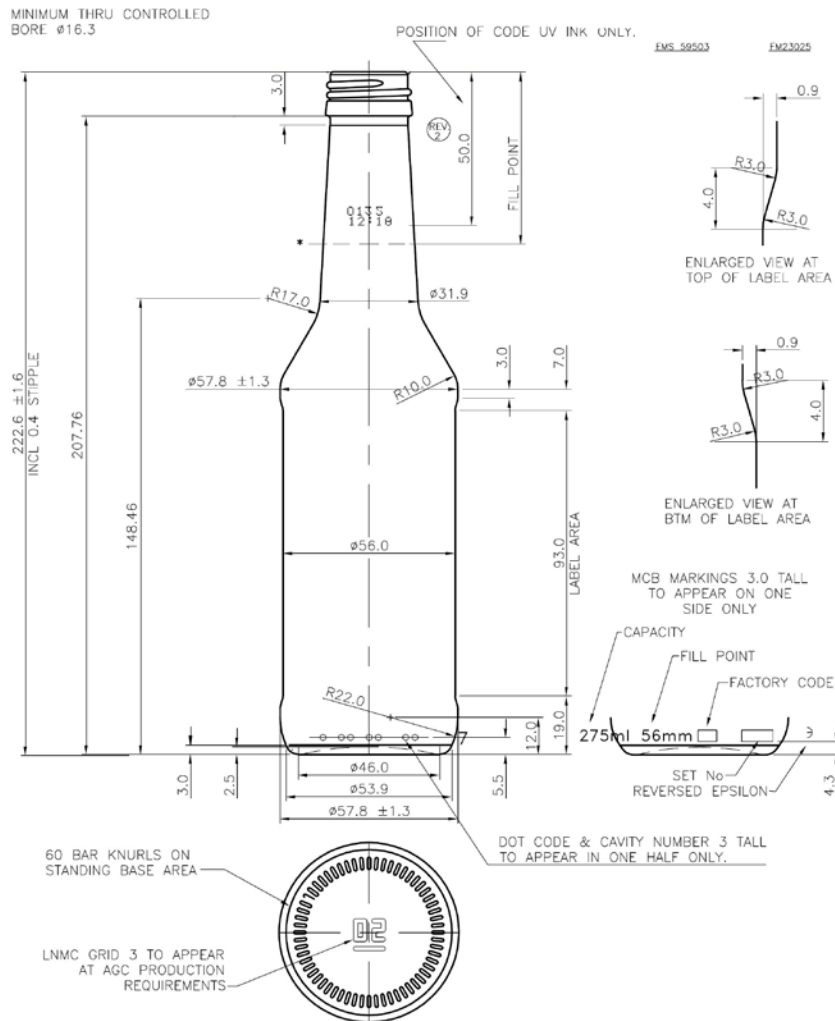


working with you

Alpha Place, Garth Road
Morden, Surrey
SM4 4LX England

(T): +44 208 337 2945
(E): sales@croxsons.com
WWW.CROXSONS.COM

Registered Office as above. Registered No: 71941



DESCRIPTION:	275ml Lightweight Beer		ITEM CODE:	Crag2181-9231	
COLOUR:	Flint		WEIGHT:	225g	
NOMINAL CAPACITY:	275ml	BRIMFULL CAPACITY:	294.2 \pm 6ml	CLOSURE:	28mm MCA 2
HEIGHT:	222.6 \pm 1.6mm	DIAMETER:	57.8 \pm 1.3mm	FILL HEIGHT:	56mm
LABEL PANEL:	93mm	CARBONATION:		VACUITY:	7%
PALLET HEIGHT:	1.28m	PALLET WEIGHT:	482kg	UNITS PER PALLET:	2000 – 5 tiers
DRAWING CHECKED:	<i>Jim Croxson</i>	DATE CHECKED:	06/08/10	DRAWING REF:	Crag2181-9231.01