

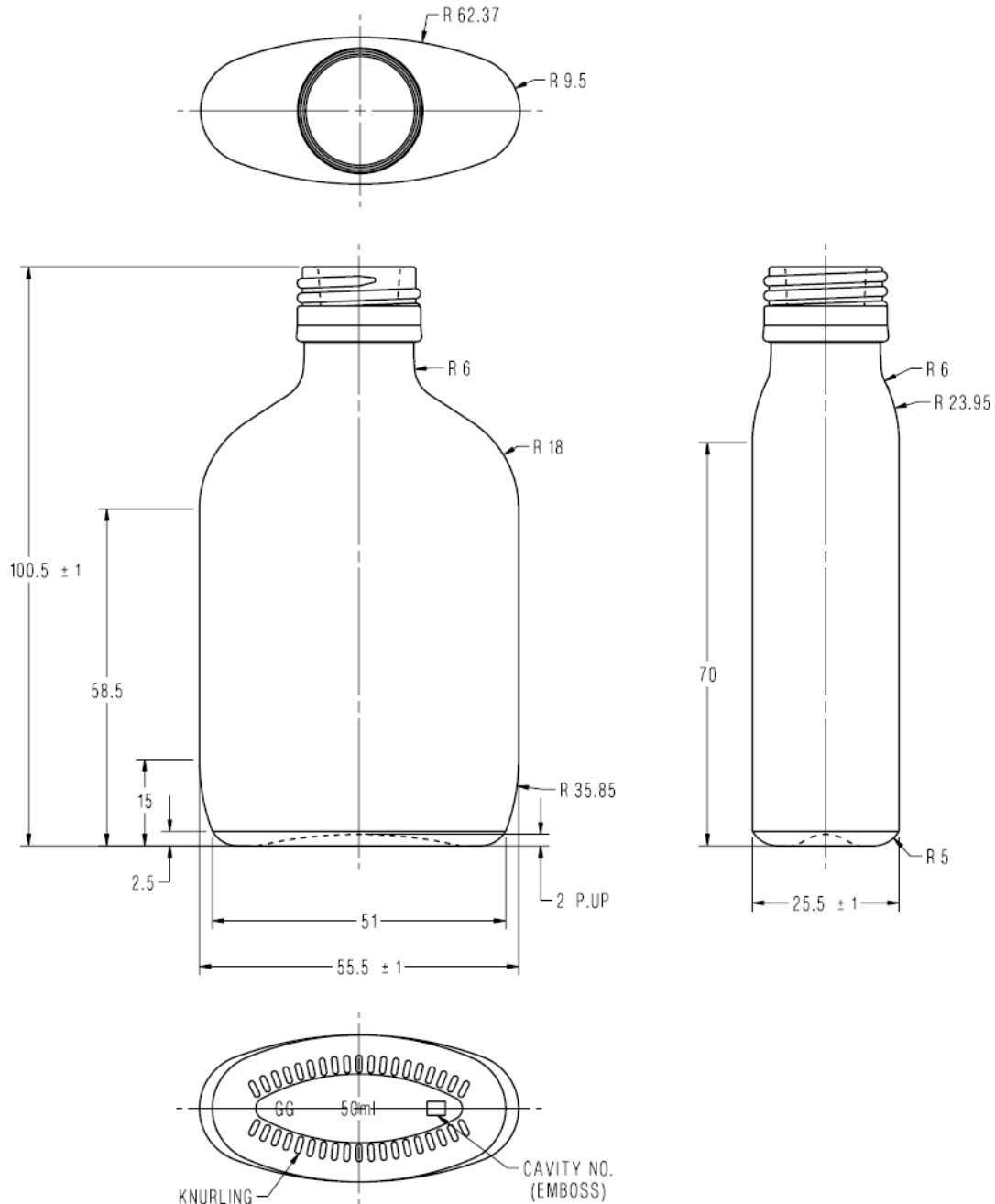


working with you

Alpha Place, Garth Road  
Morden, Surrey  
SM4 4LX England

(T): +44 208 337 2945  
(E): sales@croxsons.com  
**WWW.CROXSONS.COM**

Registered Office as above. Registered No: 71941



DESCRIPTION:	50ml Flask Miniature			ITEM CODE:	CRGU6686
COLOUR:	Flint			WEIGHT:	90g
NOMINAL CAPACITY:	50ml	BRIMFULL CAPACITY:	55 ± 2ml	CLOSURE:	GF22 / 303
HEIGHT:	100.2 ± 1.0mm	DIAMETER:	55.5 x 25.5 ± 1mm	FILL HEIGHT:	mm
LABEL PANEL:	mm	CARBONATION:	Nil	VACUITY:	ml   %
Pack : 20" FCL Container	20 Pallets	PALLET WEIGHT:	624kg	UNITS PER PALLET:	5600
Packing Details	Box : 385x290x103mm 70 units x Box – 96 Boxes per pallet			DRAWING REF:	CRGU6686

All measurements are approximate unless tolerances stated then are in accordance with ISO9058:2008, E&OE excepted.  
Clients should run trials and check physical samples prior to any full scale production.

QF015 Iss 002 30/11/2010