

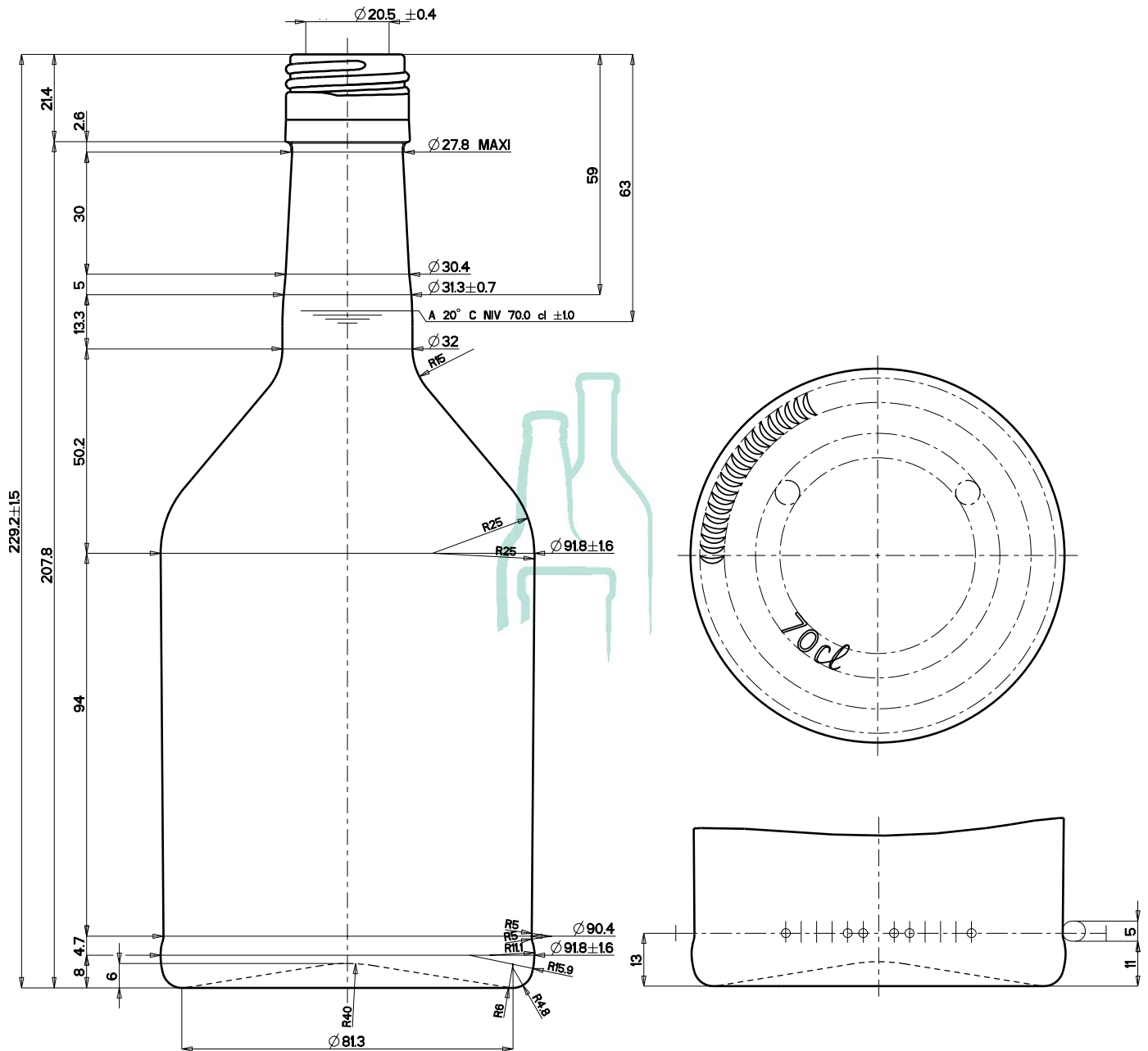


working with you

Alpha Place, Garth Road
Morden, Surrey
SM4 4LX England

(T): +44 208 337 2945
(E): sales@croxsons.com
WWW.CROXSONS.COM

Registered Office as above. Registered No: 71941



DESCRIPTION:	700ml Pur Malt Insert Spirit BVP		ITEM CODE:	CRSG8015592	
COLOUR:	Flint		WEIGHT:	450g	
NOMINAL CAPACITY:	700ml	BRIMFULL CAPACITY:	723ml ±	CLOSURE:	BVP
HEIGHT:	229.2 ± 1.5mm	DIAMETER:	91.8 ± 1.6mm	FILL HEIGHT:	63mm
LABEL PANEL:	94mm	CARBONATION:	Nil	VACUITY:	ml %
PALLET HEIGHT:	2.015m	PALLET WEIGHT:	580kg	UNITS PER PALLET:	1200 – 8 Layers
DRAWING CHECKED:		DATE CHECKED:	15-Jul-13	DRAWING REF:	0114 M1

All measurements are approximate unless tolerances stated then are in accordance with ISO9058:2008, E&OE excepted.
Clients should run trials and check physical samples prior to any full scale production.

QF015 Iss 002 30/11/2010