

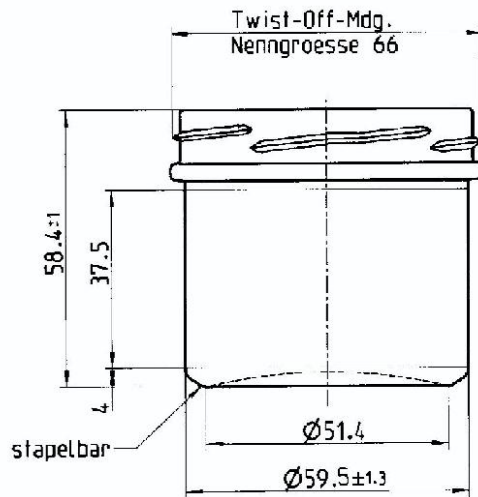
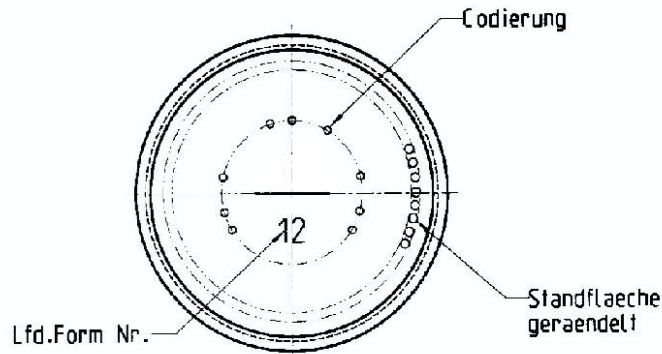


working with you

Alpha Place, Garth Road
Morden, Surrey
SM4 4LX England

(T): +44 208 337 2945
(E): sales@croxsons.com
WWW.CROXSONS.COM

Registered Office as above. Registered No: 71941



DESCRIPTION:	125ml Jar T/O		ITEM CODE:	CRNC1367	
COLOUR:	Flint		WEIGHT:	95g	
NOMINAL CAPACITY:	125ml	BRIMFULL CAPACITY:	125 ± 6.0ml	CLOSURE:	66mm Twist Off
HEIGHT:	58.4 ± 1.3mm	DIAMETER:	59.5 ± 1.3mm	FILL HEIGHT:	41.5mm
LABEL PANEL:	37.5mm	CARBONATION:	Nil	VACUITY:	ml %
PALLET HEIGHT:	1.150m	PALLET WEIGHT:	512kg	UNITS PER PALLET:	4768
DRAWING CHECKED:	Draft	DATE CHECKED:	10.02.2011	DRAWING REF:	CRNC1367-6-00

DRAFT