

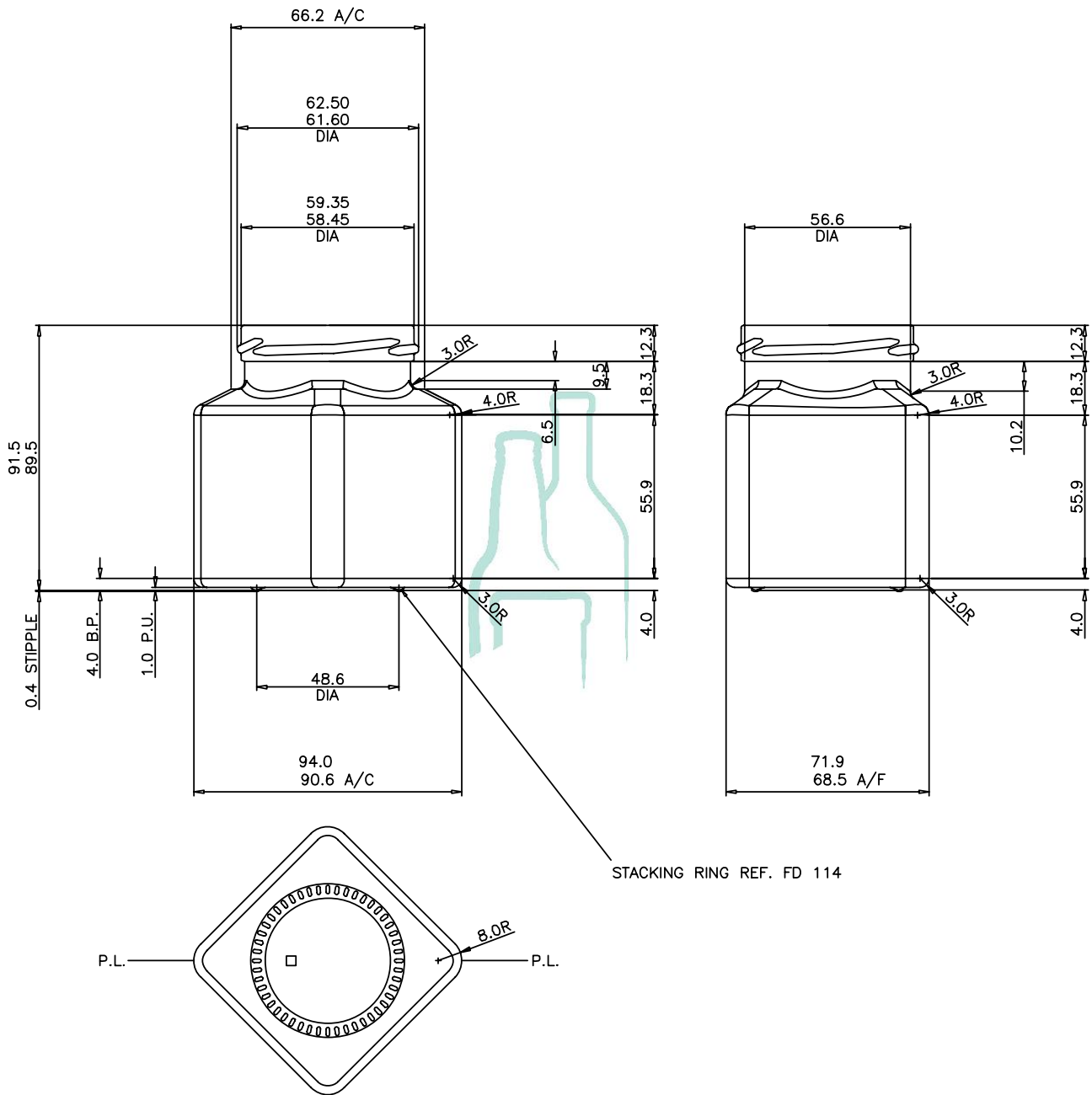


working with you

Alpha Place, Garth Road  
Morden, Surrey  
SM4 4LX England

(T): +44 208 337 2945  
(E): sales@croxsons.com  
[WWW.CROXSONS.COM](http://WWW.CROXSONS.COM)

Registered Office as above. Registered No: 71941



DESCRIPTION:	200g Square Jar		ITEM CODE:	CRBC0838	
COLOUR:	Flint		WEIGHT:	225g	
NOMINAL CAPACITY:	282ml	BRIMFULL CAPACITY:	282 ± 4.6ml	CLOSURE:	63mm Twist Off
HEIGHT:	91.5mm ±	DIAMETER:	± mm	FILL HEIGHT:	Mm
LABEL PANEL:	55.9mm	CARBONATION:	Nil	VACUITY:	ml %
PALLET HEIGHT:	TBC	PALLET WEIGHT:	Kg	UNITS PER PALLET:	TBC
DRAWING CHECKED:	Croxsons	DATE CHECKED:	07.03.2011	DRAWING REF:	CRBC0838.01

**DRAFT**