

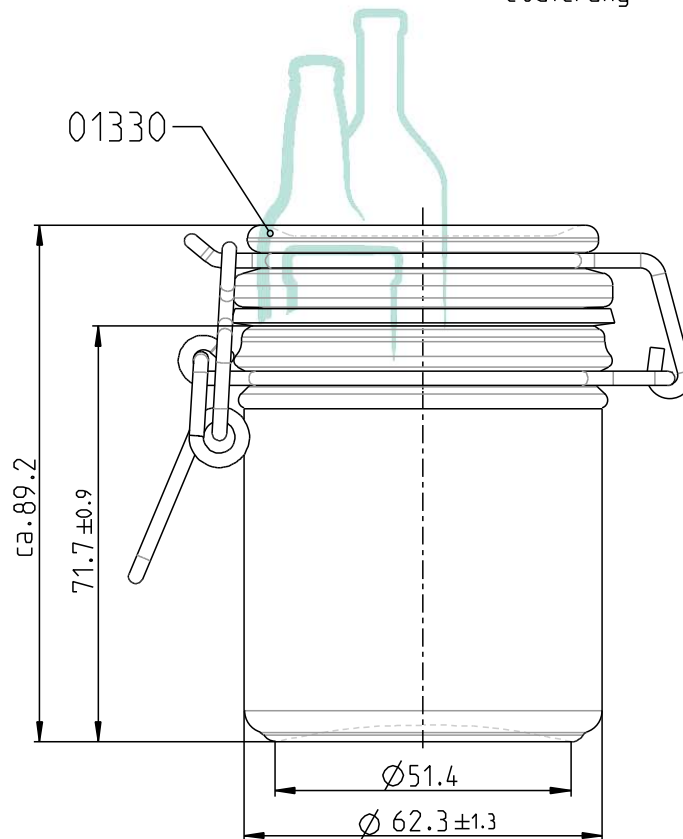
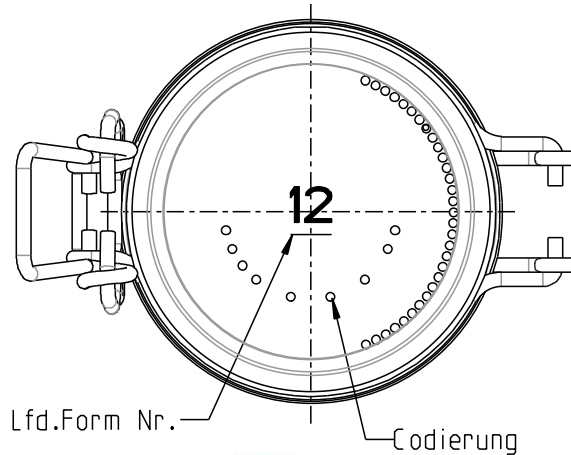


working with you

Alpha Place, Garth Road  
Morden, Surrey  
SM4 4LX England

(T): +44 208 337 2945  
(E): sales@croxsons.com  
[WWW.CROXSONS.COM](http://WWW.CROXSONS.COM)

Registered Office as above. Registered No: 71941



DESCRIPTION:	167ml Kilner Jar		ITEM CODE:	CRNC2367	
COLOUR:	Flint		WEIGHT:	231g	
NOMINAL CAPACITY:	167ml	BRIMFULL CAPACITY:	167 ± 8.0ml	CLOSURE:	Metal Clasp + Rubber Seal
HEIGHT:	89.2mm ±	DIAMETER:	62.3 ± 1.3mm	FILL HEIGHT:	mm
LABEL PANEL:	mm	CARBONATION:	Nil	VACUITY:	ml   %
PALLET HEIGHT:	1.080m	PALLET WEIGHT:	672kg	UNITS PER PALLET:	2700 – 10 Layers
DRAWING CHECKED:		DATE CHECKED:	20.05.2011	DRAWING REF:	CRNC2367.01

All measurements are approximate unless tolerances stated then are in accordance with ISO9058:2008, E&OE excepted.  
Clients should run trials and check physical samples prior to any full scale production.

QF015 Iss 002 30/11/2010