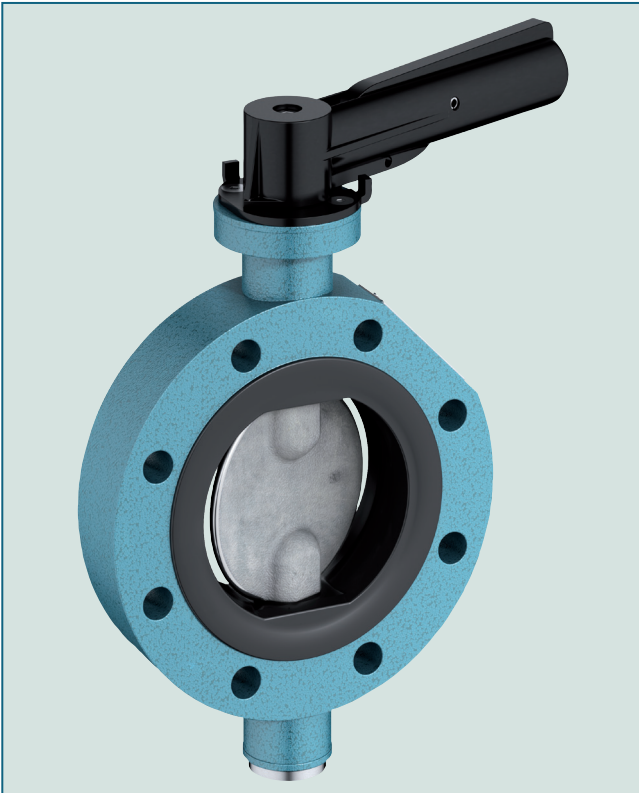


WAFER TYPE BUTTERFLY VALVE TW 80/TW 100



Wafer type butterfly valve TW 100 with NBR-seat.

TECHNICAL DATA

Nominal diameter:	3 inch / 4 inch
Face-to-face:	EBRO works standard
Flange accommodation:	EN 1092 flanges for tank lorries
Flange Surface Design:	EN 1092 Form A/B
	ASME RF, FF
Tightness check:	EN 12266 (Leakage rate A)
	ISO 5208, Category 3
Temperature range:	-4°F to +176°F
	(depending on pressure and medium)
Operating pressure:	max. 87 psi
Body:	Aluminiumalloy
- one piece	GD-AISI9Cu3 (3.2163)
- splitted	
PTFE seal	GK-AISI12(Cu) (3.2583.02)
Seat:	EPDM (Ethylene propylene caoutchouc)
	NBR (Acrylnitrile butadiene rubber)
	FPM (Fluorocarbon caoutchouc)
	AU (Polyurethane)
	PTFE (Polytetrafluorethylene)
Disc:	Stainless Steel
	G-X6CrNiMo18-10 (1.4408)

FEATURES

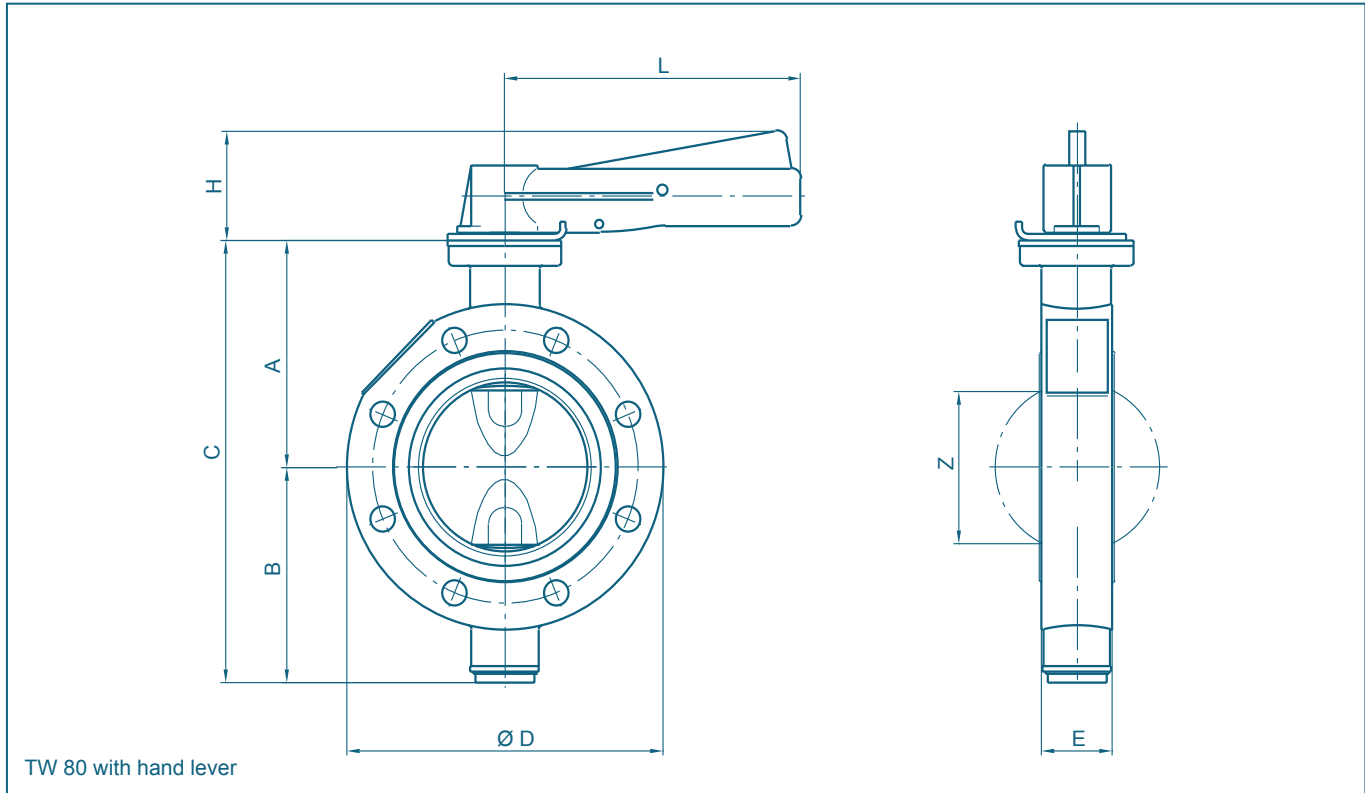
- Maintenance-free
- Triple shaft bearing
- Can be disassembled, material-specific recycling possible

GENERAL APPLICATIONS

- Tank lorries



WAFER TYPE BUTTERFLY VALVE TW 80/TW 100



DN [mm]	Size [in]	Dimensions [in]								Weight [lb]
		A	B	C	D	E	H	L	Z	
80	3	4.25	4.06	8.31	6.10	1.38	2.05	5.71	2.80	5.10
100	4	4.65	4.45	9.09	6.85	1.38	2.05	5.71	3.66	5.70

TW 5 inch: upon request

Subject to change without notice