

**General attributes**

Enclosure Type per IEC 60529  
Indicator IO-Link comm.  
Mounting instruction  
Scope of delivery

MTTF (40°C)

**Electrical attributes**

Connection type  
Eff. operating voltage Ue DC  
Indicator modul supply  
IO-Link  
IO-Link Specification  
Operating voltage UB max. DC [V]  
Operating voltage UB min. DC [V]  
Transfer rate

IP67 (when connected)  
Yes, LED green  
See short guide  
Short guide  
1x Holder  
98 a

Cable with connector  
24 V  
Yes, LED green  
IO-Link Memory Device  
1.1  
30.2 V  
18 V  
COM3 (230.4 kBaud)

**Mechanical attributes**

Ambient temperature Ta max.	70 °C
Ambient temperature Ta min.	-25 °C
Cable length	0.30 m
Housing material	PP
Storage temperature max.	85 °C
Storage temperature min.	-25 °C

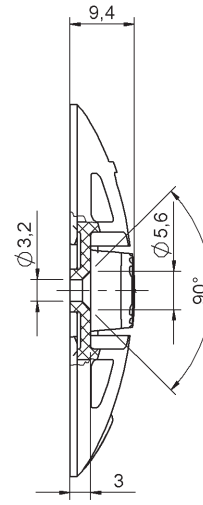
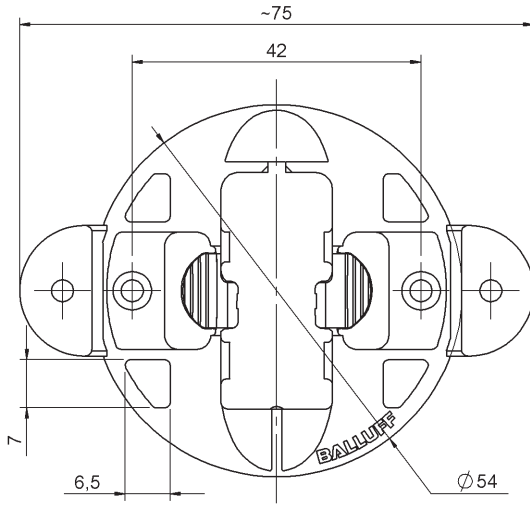
**Remarks**

For further information on MTTF/B10d, please refer to the MTTF / B10d Certificate.

Specification of the MTTF value and the B10d value do not represent any binding quality and/or life expectancy guarantees.



**Zubehör - Halter**  
Accessories - Mounting frame



Werkstoff Halter: PP  
Material mounting frame: PP