



Dual Temperature Wine Dispenser

Pro-Line Wine 24" - 4 Keg

- Designed by wine-industry experts for performance and value.
- Two dedicated temperature zones for optimal wine dispensing
- Pre-drilled for customer tower choice.
- Commercial grade construction – built to last.



Black
MDD23W



► **Shown:** Wine Font MTM-4PSS-W, Drip Tray DP-1020.
Order separately.



► **Dual Temperature:** Built In Digital Thermostats.

Feature



Listed by Edison
Testing Laboratories.
Conforms to UL & NSF Standards.



Wine Certified.

www.micromatic.com

1 (866) 327-4159

Job Number: _____ Location: _____

Specifications

Micro Matic reserves the right to change specifications without notice. **AUTOQUOTES**

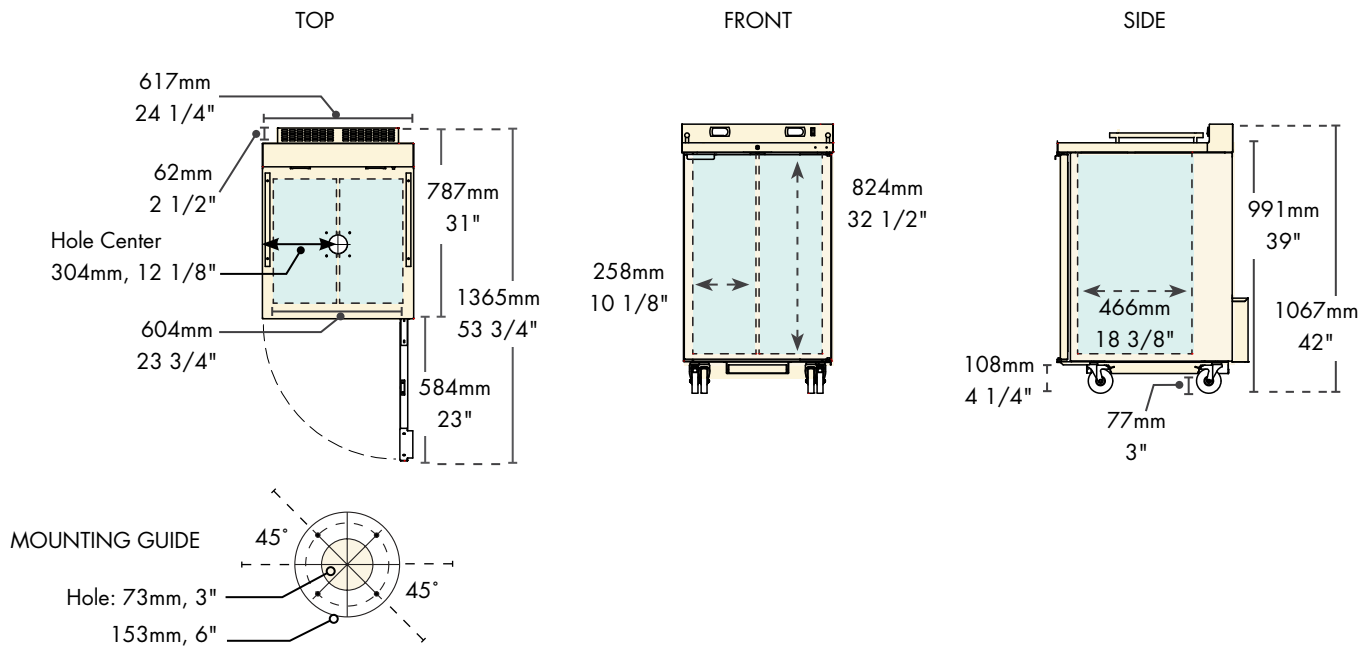
Part No.	Exterior Finish	Doors	Shipping Weight	Box Dimensions
☐ MDD23W	Black	1	76 kg	679mm L x 794mm W 1194mm H
			167 lbs	26 3/4" L x 31 1/4" W x 50"H

Operating Performance

Capacity of 20 Liter Kegs	4 (2 per zone)	Running Amps	2.7
Cubic Feet Per Side	TBD	Condenser HP	1/6
Hole for Wine Font	1	Voltage	115/60/1
Hole Diameter	3"	Plug Type	NEMA-5-15R
Color-coded Digital Thermostats	2 (Blue LED-Whites & Red LED-Reds)	Cord Length	8'
Temperature Range - Whites	42-48°F (5.5-8.8C)	Refrigerant	R-134a
Temperature Range - Reds	55-65°F (12.7-18.3C)	Charge oz (Grs)	10.5 (300)
Approval	ETL Listed		

Exterior	18 gauge stainless steel top, 22 gauge solid doors, black vinyl over 24 gauge steel front, sides and back.
Interior	20 gauge stainless steel floor, rugged false floor, reinforced frame, 24 gauge galvanized walls.
Ventilation	Rear ventilated
Plumbing	Automatic condensate evaporator, no drain connection required. Evaporator condensate has been plumbed to a condensate pan located in the compressor housing.
Insulation	Foamed-in-place using high density, CFC-free polyurethane; 1-1/2" top, walls and floor.
Mobility	Castors are standard and not removable.

Dimensions



Copyright ©2012 Micro Matic USA, Inc. All Rights Reserved.

01124D0812



www.micromatic.com

Toll Free: 1-(866) 327-4159

West	Central	Southeast	Northeast
19791 Bahama Street Northridge, CA 91324 Tel. (818) 701-9765 Fax. (818) 701-9844	10726 North Second Street Machesney Park, IL 61115 Tel. (815) 968-7557 Fax. (815) 968-0363	2364 Simon Court Brooksville, FL 34604 Tel. (352) 799-6331 Fax. (352) 796-2429	4601 Saucon Creek Road Center Valley, PA 18034 Tel. (610) 625-4464 Fax. (610) 625-4466