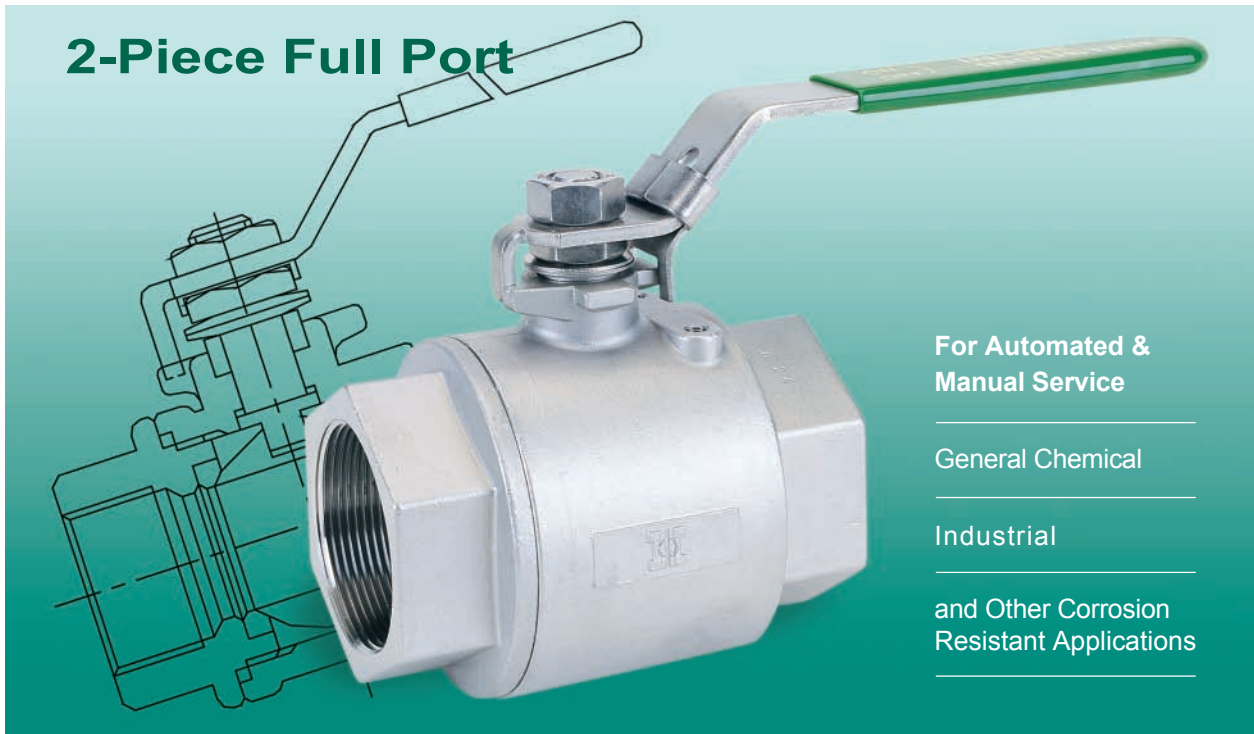


201F Ball Valve



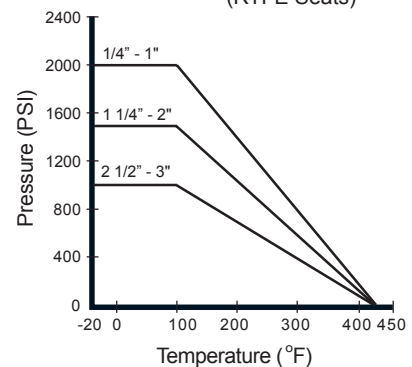
Standard Features and Benefits

- **2-Piece Design**
- **Full Port**
Full port construction improves flow characteristics for greater process efficiencies
- **Blow-Out-Proof Stem**
Stem is bottom loaded to prevent removal during operation
- **High-Cycle, Live-Loaded Stem Packing**
Provides constant load on stem seal and extends service life
- **Locking Device**
Enables plant personnel to secure valve in open or closed position when manually operated
- **Corrosion Resistant**
Made of 316 stainless steel (A351 Gr. CF8M) for superior chemical resistance and longer service life
- **Investment Cast**
Improves dimensional control and reduces porosity
- **Anti-Static Device**

Options

- Carbon steel
- Oval Handle
- Reverse Handle

201F Pressure / Temperature Chart
(RTFE Seats)

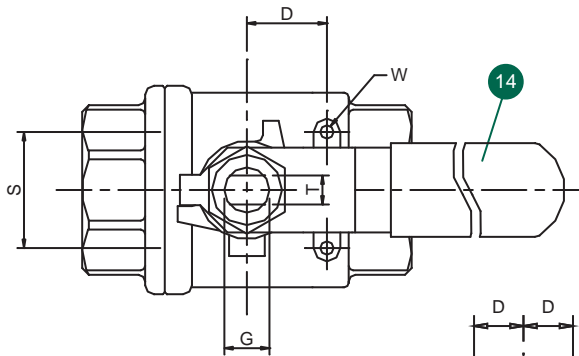


Operating Conditions

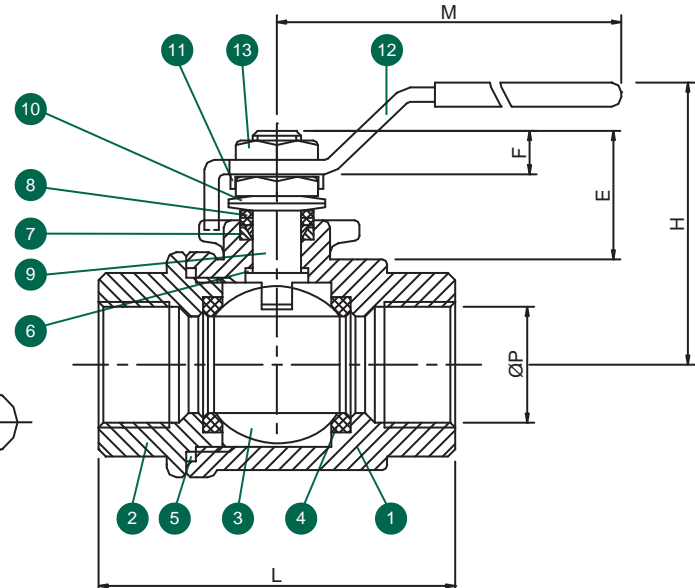
- Temperature range (RTFE):
-20°F ~ 420°F
- Maximum pressure (RTFE):
2000 PSI WOG (1/4" ~ 1")
1500 PSI WOG (1 1/4" ~ 2")
1000 PSI WOG (2 1/2" ~ 3")

Specifications

- All valves shell and seat tested to ANSI/ASME B16.34 and API 598



TOP VIEW
2 1/2" - 3"



Valve Components			
#	Part Name	Material	Qty.
1	Body	A351 Gr. CF8M	1
2	End Cap	A351 Gr. CF8M	1
3	Ball	316SS	1
4	Seat	RTFE (15% C.F.)	2
5	Body Seal	PTFE	1
6	Thrust Washer	RTFE (15% C.F.)	1
7	Stem Packing Set	PTFE	1
8	Packing Gland	304SS	1
9	Stem	316SS	1
10	Belleville Washer	301SS	2
11	Gland Nut Lock Washer	304SS	1
12	Handle	304SS	1
13	Handle Nut	304SS	1
14	Handle Cover	Vinyl	1

Dimensions (Inches)											
Size	L	P	H	E	F	M	D	S	T	G	Wt. (lbs)
1/4	2.16	0.44	1.90	0.82	0.30	4.40	0.50	1.10	0.197	0.31	0.60
3/8	2.16	0.50	1.90	0.82	0.30	4.40	0.50	1.10	0.197	0.31	0.57
1/2	2.36	0.60	2.00	0.82	0.30	4.40	0.50	1.10	0.197	0.31	0.70
3/4	2.95	0.78	2.20	0.89	0.30	5.00	0.88	1.38	0.256	0.39	1.30
1	3.26	0.98	2.50	1.20	0.35	6.10	0.88	1.38	0.315	0.47	1.75
1 1/4	3.82	1.25	2.75	1.20	0.35	6.10	0.94	1.50	0.315	0.47	3.00
1 1/2	4.29	1.50	3.30	1.40	0.51	7.40	0.94	1.50	0.381	0.55	4.60
2	5.08	2.00	3.75	1.40	0.51	7.40	0.94	1.50	0.381	0.55	7.70
2 1/2	6.56	2.50	5.05	2.17	0.98	11.80	1.38	2.18	0.472	0.78	16.00
3	7.56	3.14	5.60	2.17	0.98	11.80	1.38	2.18	0.472	0.78	23.20

201F Ordering Information

Example: 2" Full Port Ball Valve with Lever Handle with Locking Device, 316SS Body and Trim, RTFE (15% C.F.) Seats and PTFE Seals, NPT Ends

201F | **D** | **6** | **6** | **6** | **6** | **C** | **T** | **TT** | **2** | **S**

Valve Series	Valve Size	Body Material	End Material*	Ball Material	Stem Material	Seat	Seal	End Connection	Port	Ball Config.
201F - Full Port	2 1/4"	6 - A351 Gr. CF8M (316) 2 - A216 Gr. WCB	6 - A351 Gr. CF8M (316) 2 - A216 Gr. WCB	6 - A351 Gr. CF8M (316)	6 - A351 Gr. CF8M (316)	C - RTFE (15% C.F.)	T - PTFE F - 50% 316SS Filled PTFE	T - NPT	2 - 2 Way	S - Straight Port 7 - ASEV Ball
	3 3/8"									
	5 1/2"									
	7 3/4"									
	A 1"									
	B 1 1/4"									
	C 1 1/2"									
D 2"										
E 2 1/2"										
F 3"										

Due to continuous product development, information may change without notice.



INLINE INDUSTRIES, INC.

9056 Garvey Avenue
Rosemead, CA 91770
Tel: (800) 568-8998
(626) 813-6188
Fax: (626) 813-6186
www.ballvalve.com
info@ballvalve.com

Distributed by: