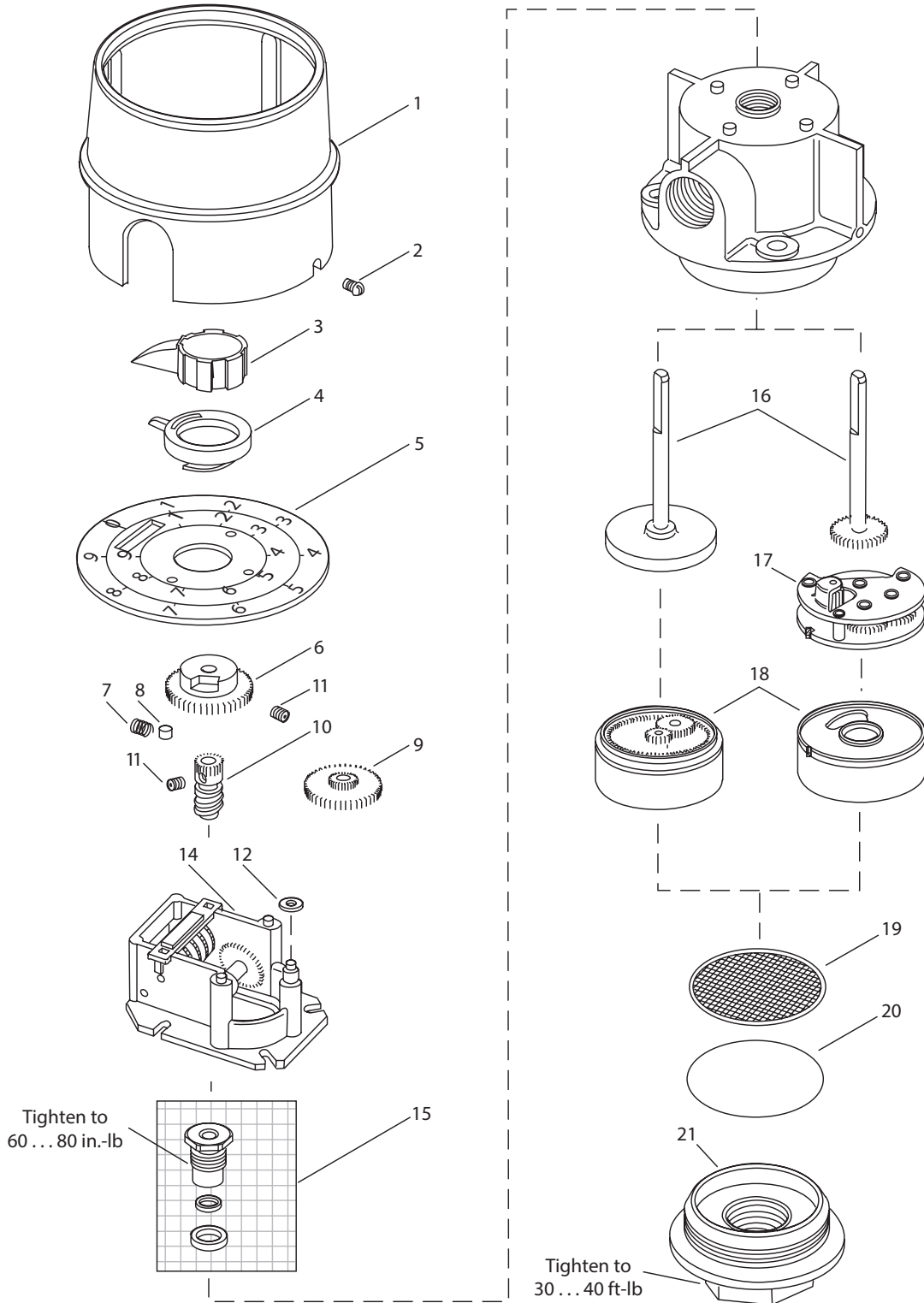




Badger Meter

Universal Meters

Model UH (Universal High Shroud)



Item	Description	Dial Capacity	
		32 Oz-16 Qt	8 Pint
		Quarts	Pints
1	Shroud, Metal	09374-004	09374-004
	Shroud, Plastic	58814-002	58814-002
2	Screw, Shroud	55212-115	55212-115
3	Knob Assembly, Reset	59442-004	59442-003
4	Pointer, Inner Circle	09665-002	—
5	Dial Face	13554-000	11013-000
6	Cam, ICP	13560-000	23907-000
7	Spring, Clutch Roller	22602-002	22602-002
8	Clutch Roller	04716-000	04716-000
9	Gear, ICP	13555-000	09548-000
10	Worm, UDP	32594-000	32596-000
11	Setscrew, Worm	59576-001	59576-001
12	Spacer	22562-006	22562-006
14	Totalizer Assembly	59310-001	59310-003
15	Packing Gland Kit, Buna N	59008-001	59008-001
16	Spindle, UDP	22973-002	22968-002
17	Gear Train Assembly	19438-001	—
	Gear Train Assembly, Antifreeze	19438-010	—
18	Chamber Assembly	19416-001	20062-001
19	Screen	14039-000	14039-000
20	O-Ring, Buna N	55300-223	55300-223
21	Flanged Housing Cap, NPT	62268-001	62268-001

Item	Description	Dial Capacity				
		1...16 Qt	4...16 Qt	4...16 Qt	1...10 Liter	4...10 Liter
		Quarts	Quarts	Gallons	Liters	Liters
1	Shroud, Metal	09374-004	09374-004	09374-004	09374-004	09374-004
	Shroud, Plastic	58814-002	58814-002	58814-002	58814-002	58814-002
2	Screw, Shroud	55212-115	55212-115	55212-115	55212-115	55212-115
3	Knob Assembly, Reset	59442-004	59442-004	59442-004	59442-004	59442-004
4	Pointer, Inner Circle	09665-002	09665-002	09665-002	09665-002	09665-002
5	Dial Face	18296-000	10882-000	09549-000	58203-001	58202-001
6	Cam, ICP	13560-000	9544-000	9544-000	13560-000	9544-000
7	Spring, Clutch Roller	22602-002	22602-002	22602-002	22602-002	22602-002
8	Clutch Roller	04716-000	04716-000	04716-000	04716-000	04716-000
9	Gear, ICP	13555-000	09548-000	09548-000	18223-000	09786-000
10	Worm, UDP	32594-000	11277-000	32597-000	32593-000	11278-000
11	Setscrew, Worm	59576-001	59576-001	59576-001	59576-001	59576-001
12	Spacer	22562-006	22562-006	22562-006	22562-006	22562-006
14	Totalizer Assembly	59310-001	59310-002	59310-001	59310-001	59310-002
15	Packing Gland Kit, Buna N	59008-001	59008-001	59008-001	59008-001	59008-001
16	Spindle, UDP	22973-002	22968-003	22968-003	22973-002	22968-009
17	Gear Train Assembly	19438-001	—	—	19438-003	—
	Gear Train Assembly, Antifreeze	19438-010	—	—	19438-011	—
18	Chamber Assembly	19416-001	20062-001	20062-001	19416-005	20062-005
19	Screen	14039-000	14039-000	14039-000	14039-000	14039-000
20	O-Ring, Buna N	55300-223	55300-223	55300-223	55300-223	55300-223
21	Flanged Housing Cap, NPT	62268-001	62268-001	62268-001	62268-001	62268-001

Control. Manage. Optimize.

Trademarks appearing in this document are the property of their respective entities. Due to continuous research, product improvements and enhancements, Badger Meter reserves the right to change product or system specifications without notice, except to the extent an outstanding contractual obligation exists. © 2014 Badger Meter, Inc. All rights reserved.

www.badgermeter.com

The Americas | Badger Meter | 4545 West Brown Deer Rd | PO Box 245036 | Milwaukee, WI 53224-9536 | 800-876-3837 | 414-355-0400
 México | Badger Meter de las Americas, S.A. de C.V. | Pedro Luis Ogazón N°32 | Esq. Angelina N°24 | Colonia Guadalupe Inn | CP 01050 | México, DF | México | +52-55-5662-0882
 Europe, Middle East and Africa | Badger Meter Europa GmbH | Nurtinger Str 76 | 72639 Neuffen | Germany | +49-7025-9208-0
 Europe, Middle East Branch Office | Badger Meter Europe | PO Box 341442 | Dubai Silicon Oasis, Head Quarter Building, Wing C, Office #C209 | Dubai / UAE | +971-4-371 2503
 Czech Republic | Badger Meter Czech Republic s.r.o. | Mařikova 2082/26 | 621 00 Brno, Czech Republic | +420-5-41420411
 Slovakia | Badger Meter Slovakia s.r.o. | Racianska 109/B | 831 02 Bratislava, Slovakia | +421-2-44 63 83 01
 Asia Pacific | Badger Meter | 80 Marine Parade Rd | 21-06 Parkway Parade | Singapore 449269 | +65-63464836
 China | Badger Meter | 7-1202 | 99 Hangzhong Road | Minhang District | Shanghai | China 201101 | +86-21-5763 5412