



# BALL TRANSFER UNITS 5500

*Load capacity up to 500 N, polymer housing*

## Product Description

- Conveyance possible in every direction
  - Simple construction of intersections and switchblades
  - Easy running balls
  - Stainless steel version (optional)
  - Polymer balls
    - No damage to critical surfaces
- Applications**
- Alignment of medium-heavy plates, containers with smooth surfaces
  - Pushing of steel or wooden plates
- Properties**
- The support balls circulate under the main ball in operation so that the material to be conveyed is constantly supported
  - Housing made of polyamide
  - Bearing set for support balls made of hardened steel
  - Protection against dust and spray water by felt seal for steel ball
- Design information**
- The load capacity of the ball rollers is best used if the balls have exactly the same level

## Product Selection

Fixing	Ø Ball	Material	Max. load capacity	Weight	Reference number
	mm		N	g	
Base flange	25.4	Steel	500	109	5500
		Steel, stainless steel	500	109	5505
		Polymer	200	51	5520
Head flange	25.4	Steel	500	109	5501
		Steel, stainless steel	500	109	5506
		Polymer	200	51	5521
Threaded pin	25.4	Steel	500	117	5504
		Steel, stainless steel	500	117	5509
		Polymer	200	59	5512
Top flange	25.4	Steel	500	107	5503
		Steel, stainless steel	500	107	5508
		Polymer	200	41	5522

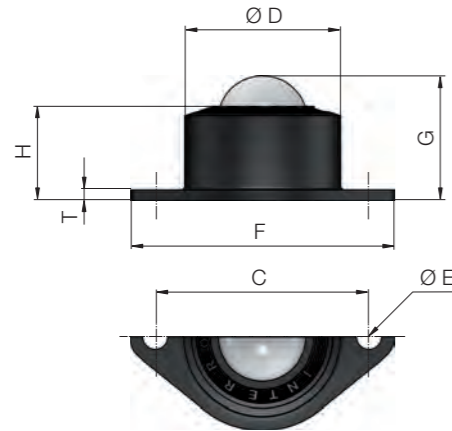


# BALL TRANSFER UNITS 5500

Load capacity up to 500 N, polymer housing

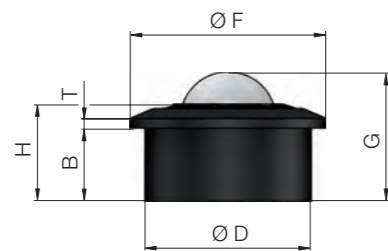
## Dimensions

Dimensions with  
base flange



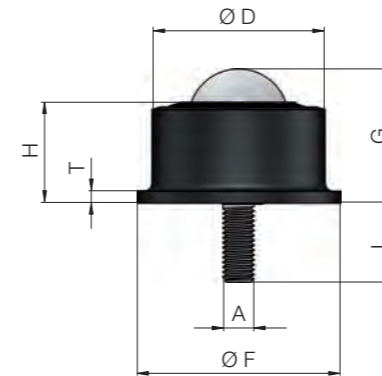
Ø D mm	Ø E mm	C mm	F mm	G mm	H mm	T mm
44.0 - 0.2	7	60	74 / 52	35	26	3

Dimensions  
with top flange



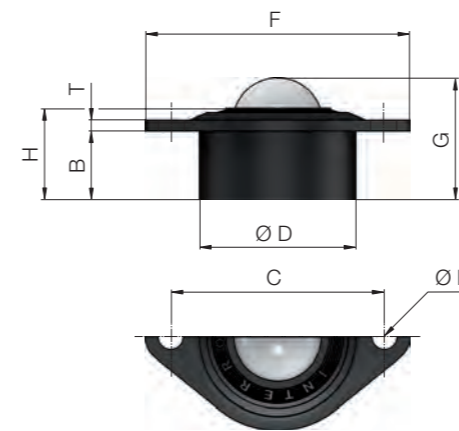
Ø D mm	Ø F mm	B mm	G mm	H mm	T mm
44.0 - 0.2	52	19.5	35	26	3

Dimensions with  
threaded pin



Ø D mm	Ø F mm	A mm	G mm	H mm	L mm	T mm
44.0 - 0.2	52	M8	35	26	22	3

Dimensions  
with head flange



Ø D mm	Ø E mm	B mm	C mm	F mm	G mm	H mm	T mm
44.0 - 0.2	7	19.5	60	74 / 52	35	26	3