

LAGGING FOR FRICTION DRIVE BELTS

Smooth or specially grooved lagging to increase friction between drum motor shell and conveyor belt

Product Description

- | | | |
|------------------------|--|--|
| Applications | <ul style="list-style-type: none"> ✓ Wet applications ✓ For standard drum motors | <ul style="list-style-type: none"> ✓ Food and hygienic applications ✓ Flat belt, multi V-belt or round belt applications |
| Characteristics | <ul style="list-style-type: none"> ✓ High resistance to oil, fuel and other chemicals ✓ Lagging increases friction between drum motor shell and conveyor belt ✓ Lagging prevents slip between drum motor shell and conveyor belt ✓ Longitudinal grooved lagging reduces liquids between belt and shell | <ul style="list-style-type: none"> ✓ Centered V-groove for belt tracking facility ✓ Multiple V-grooves for V-belt or round belt conveyors ✓ Hot vulcanisation for high-torque drum motors ✓ Hot vulcanisation is more hygienic |

Note: Lagging has an influence on the outer diameter of the drum motor and on the velocity. Belt pull and speed of the drum motor must be recalculated according to the increased diameter.

Technical Data

Material	Hot or cold vulcanised NBR Other materials on request
Ambient temperature	-40 to +120 °C
Shore hardness	65 to 70 ± 5 Shore A

Product Range

Cold vulcanisation

Lagging profile	Colour	Characteristics	Shore hardness	Thickness mm
Smooth	Black	Oil- and fat-resistant	65 ± 5 Shore A	3, 4
	White	FDA food approved	70 ± 5 Shore A	
Longitudinal grooves	White	FDA food approved	70 ± 5 Shore A	8
Diamond patterned	Black	Oil- and fat-resistant	70 ± 5 Shore A	8

Hot vulcanisation

Lagging profile	Colour	Characteristics	Shore hardness	Thickness mm
Smooth	Black	Oil- and fat-resistant	65 ± 5 Shore A	2, 3, 4, 5, 6, 8, 10, 12, 14, 16
	White/Blue	FDA food approved EC1935/2004 approved	70 ± 5 Shore A	
Longitudinal grooves	Black	Oil- and fat-resistant	65 ± 5 Shore A	6, 8, 10, 12, 14, 16
	White/Blue	FDA food approved EC1935/2004 approved	70 ± 5 Shore A	
Diamond patterned	Black	Oil- and fat-resistant	65 ± 5 Shore A	6, 8, 10, 12, 14, 16
	White/Blue	FDA food approved EC1935/2004 approved	70 ± 5 Shore A	
V-groove	Black	Oil- and fat-resistant	65 ± 5 Shore A	6, 8, 10, 12, 14, 16
	White/Blue	FDA food approved EC1935/2004 approved	70 ± 5 Shore A	

LAGGING FOR FRICTION DRIVE BELTS

Smooth or specially grooved lagging to increase friction between drum motor shell and conveyor belt

Dimensions

Smooth Cold and hot vulcanisation

Please refer to the following table for standard crowning of rubber lagging.

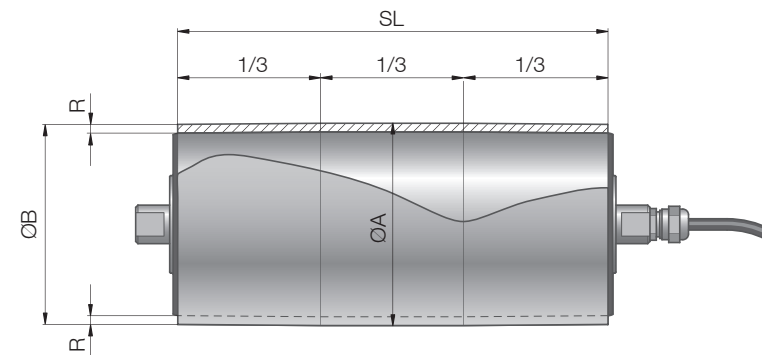


Fig.: Smooth lagging

Drum motor	Shell Ø mm	Cold vulcanisation			Hot vulcanisation		
		Min./max. R mm	Ø A mm	Ø B mm	Min./max. R mm	Ø A mm	Ø B mm
80S	81.5	3	87.5	86.0	2	85.5	84.0
		4	89.5	88.0	6	93.5	92.0
80i	81.5	3	87.5	86.5	2	85.5	84.5
		4	89.5	88.5	16	113.5	112.5
80D	81.5				2	85.5	84.5
					16	113.5	112.5
113S	113.3	3	119.3	117.8	2	117.3	115.8
		4	121.3	119.8	6	125.3	123.8
113i	113.5	3	119.5	118.0	2	117.5	116.0
		4	121.5	120.0	16	145.5	144.0
113D	113.5				2	117.5	116.0
					16	145.5	144.0
138i	138.0	3	144.0	142.0	2	142.0	140.0
		4	146.0	144.0	16	170.0	168.0
165i	164.0	3	170.0	168.0	2	168.0	166.0
		4	172.0	170.0	16	196.0	194.0
217i	217.5	3	223.5	221.5	2	221.5	219.5
		4	225.5	223.5	16	249.5	247.5

Cold and hot vulcanisation

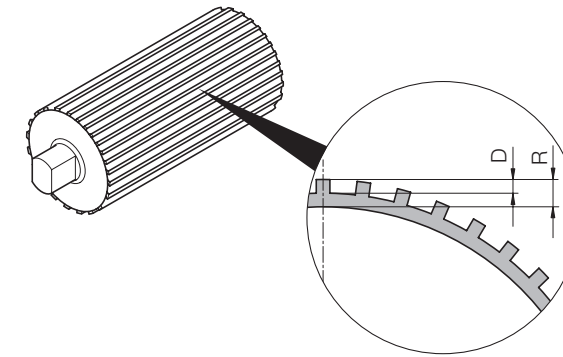


Fig.: Longitudinal grooved lagging

D mm	R, cold vulcanisation mm	R, hot vulcanisation mm
4	8	6, 8, 10, 12, 14, 16

Note: Only possible for i- and D-Types

Cold and hot vulcanisation

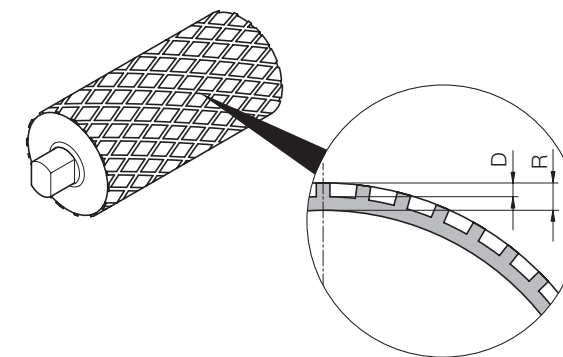


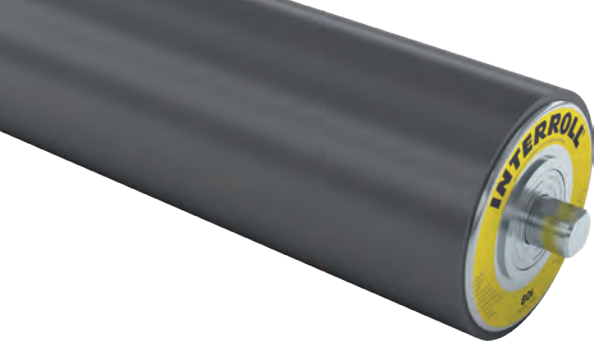
Fig.: Diamond patterned lagging

D mm	R, cold vulcanisation mm	R, hot vulcanisation mm
4	8	6, 8, 10, 12, 14, 16

Note: Only possible for i- and D-Types

Longitudinal

Diamond patterned



LAGGING FOR FRICTION DRIVE BELTS

Smooth or specially grooved lagging to increase friction between drum motor shell and conveyor belt

V-grooved Hot vulcanisation

A centered V-groove in the lagging enables the use of conveyor belts fitted with a tracking profile on the underside of the belt which helps to prevent belt wander. The drum lagging groove should not be used to guide the belt. The actual tracking and guiding of the belt should be made using a conveyor slide bed or roller bed with built in tracking grooves.

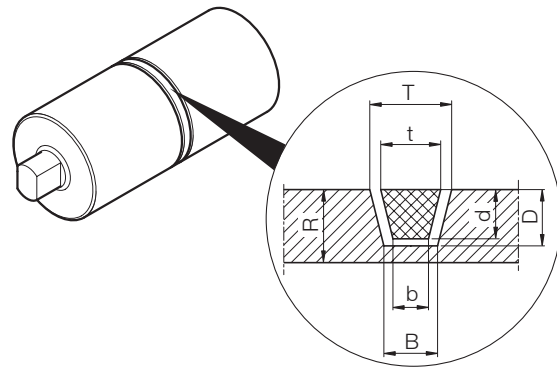


Fig.: V-grooved lagging

Groove	R Standard mm	R Option mm	Groove			Belt		
			T mm	B mm	D mm	t mm	b mm	d mm
K6	8	6	10	8	5	6	4	4
K8	8	6	12	8	6	8	5	5
K10	10	8	14	10	7	10	6	6
K13	12	10	17	11	9	13	7.5	8
K15	12	10	19	13	9	15	9.5	8
K17	14	12	21	13	12	17	9.5	11