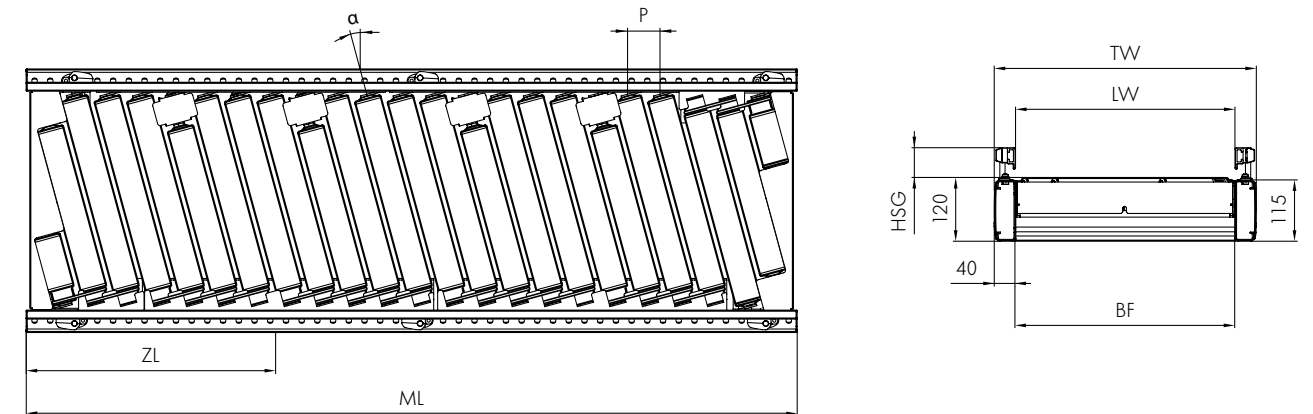


RM 8340

Interroll Roller Conveyor
Alignment Conveyor
24 V powered



Dimensions



Product Description

The 24 V alignment conveyor guides products diagonally to the transport direction to a side frame, and aligns them to the side guide if necessary. The side guide must be suitable for this purpose.

Technical data

General technical data	Max. load capacity*	50 kg/m
	Conveyor speed*	0.1 to 1.0 m/s (at 35 kg) 0.1 to 0.8 m/s (at 50 kg)
	Incline/decline	Not suitable
	Ambient temperature	+5 to +40 °C
Roller	Roller type	Interroll Series 3500
	Roller diameter	50 mm
	Roller material	Steel 1.5 mm, zinc-plated
Drive	Rated voltage	24 V
	Motor type	Interroll RollerDrive EC310
	Drive medium	PolyVee belts
	Torque transmission	Roller-to-Roller
	Control	MultiControl

* The combination of maximum values is not always possible.

BF	Between frames	420, 620, 840 mm others on request
LW	Lane width	BF (+120/-90 mm on one side)
ML	Module length	ZL x number of zones
ZL	Zone length	depending on angle and measure between frames
TW	Module width	BF + 80 mm
P	Roller pitch	60 mm
α	Angle of rollers	7°/15.2°
HSG	Height side guide	35 - 65 mm

Scope of supply

- Supply incl. rolling or gliding side guides on one side
- Module is completely assembled and prewired
- Supply incl. 1 sensor per conveyor/zone
- Please order support stands and end caps separately
- Supply incl. bus (communication) cable