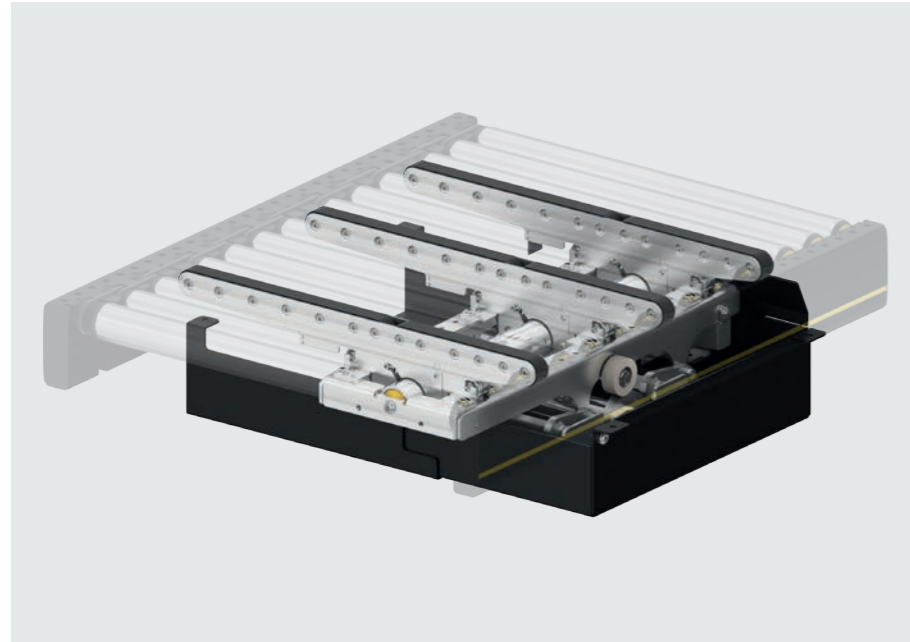
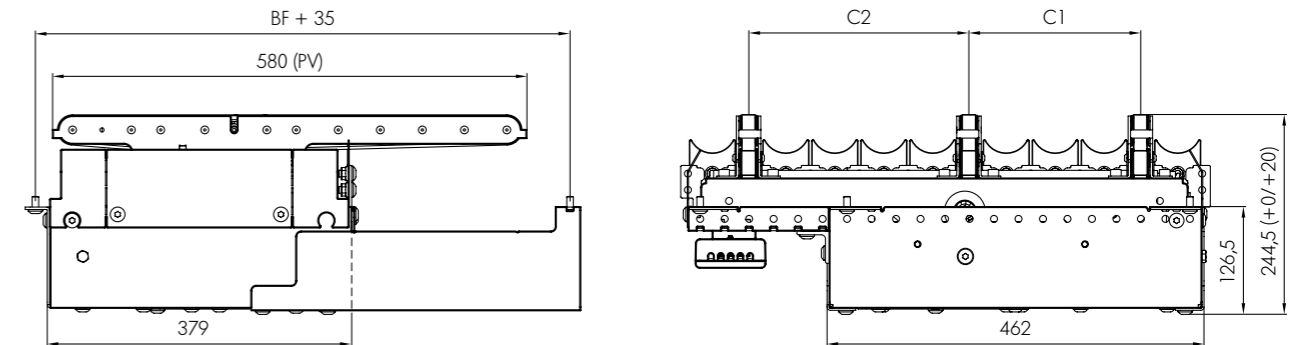


RM 8731

Interroll Transfer 24 V



Dimensions



Product Description

The Transfer 24 V is used for diverting or merging onto a roller track suitable material at a 90° angle. In the process, the unit load changes direction and its orientation, i.e. the side of the product will now be the leading edge after the transfer.

Technical data

General technical data	Max. load capacity*	50 kg
	Belt speed	1.0 m/s
	Lifting time	0.3 s
	Incline/decline	Not suitable
	Ambient temperature	+5 to +40 °C
Stroke and belt drive	Rated voltage	24 V
	Control	MultiControl

* The combination of maximum values is not always possible.

BF	Between frames	420, 620, 840 mm others on request
C1 to C5	Blade distance	Flexible distances in multiples of 60 mm or 90 mm
	Number of blades	max. 5

Scope of supply

- Supply incl. fastening set, side guide kit and control card
- When used in zone conveyor, supply incl. sensor kit and cable set
- Supply without roller conveyor