

INTERROLL SUPPORT LEGS RM 5703



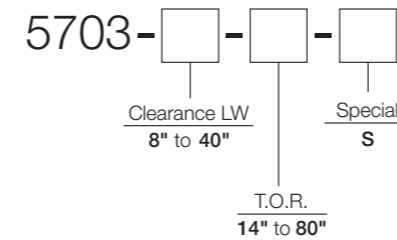
The Interroll Support Legs RM 5703 consist of robust Aluminum extrusion upon which the conveyor modules are mounted. The support legs are equipped with an adjustable foot and are fixed to the conveyor side frame via a top coupling bracket.

Accessories
RM 5703
Support Leg

Order Information

- The module is fully assembled
- Steel components are powder-coated (in black RAL 9005 or in gray RAL 7030) or zinc-plated

Please create the reference number with the following configurator.



If you require a non-standard version, add an „S“ to the end and describe your requirements.

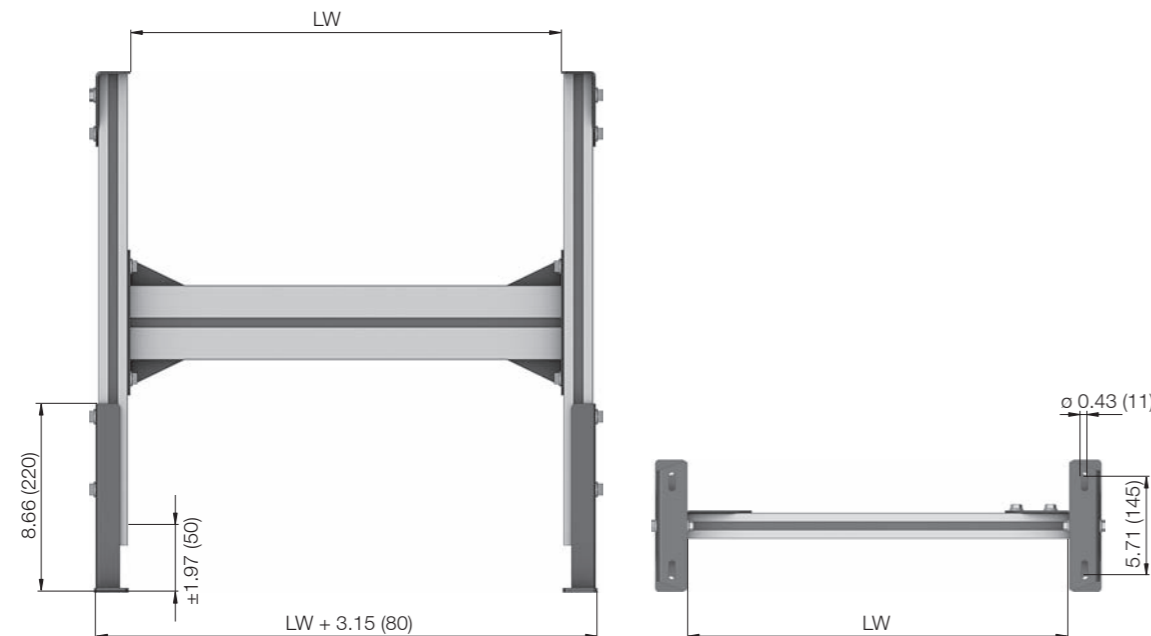
Example of a reference number: 5703-20-28

This reference number stands for Interroll Support Legs RM 5703 with a clearance LW 20" (510 mm) and top of roller height T.O.R. 28" (700 mm).

Technical Data

General technical data	
Max. load capacity	450 lb (200 kg)
Side frame	
Combination of frame heights left/right	Suitable for all frame combinations
Number of cross members	1 with 14" to 31.5" (350 to 800 mm) top of roller height 2 with 31.5" to 55" (800 to 1400 mm) top of roller height 3 with 55" to 80" (1400 to 2000 mm) top of roller height

Dimensions



Dimensions	
LW Clearance	8" to 40" (210 mm to 1,010 mm)
T.O.R. Top of roller height	14" to 80" (350 mm to 2,000 mm)
Adjustment range	±1.97" (±50 mm)

Scope of supply

Configurator

Order example