



Rotating cleaning nozzles “HygienicWhirly” Series 594 / 595

Series 594 / 595

The HygienicWhirly is designed for spraying foam and its highly effective flat jets still provide excellent cleaning effects.



	Max. tank diameter [ft]	0	5	10	15	20	25
--	--------------------------------	---	---	----	----	----	----

Materials
Stainless steel
AISI 316L, PEEK,
EHEDG-version:
O-ring made
of EPDM

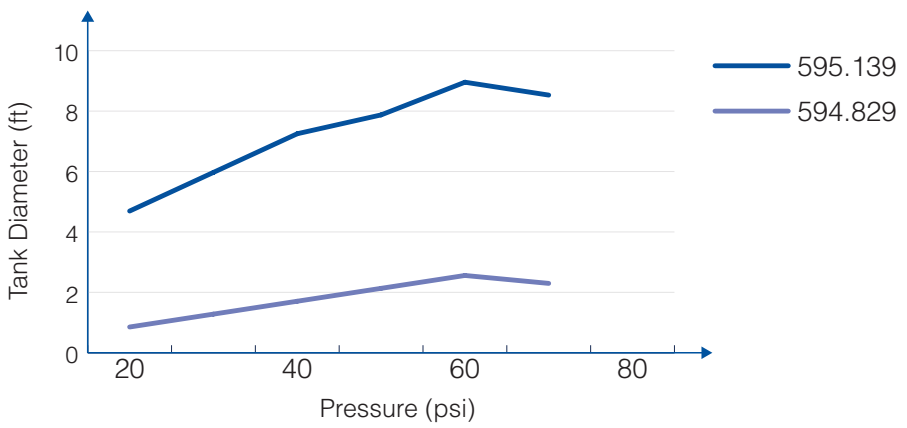
Max. temperature
212°F/ 100°C,
short-term
up to 284°F/ 140°C

Recommended operating pressure
45 psi

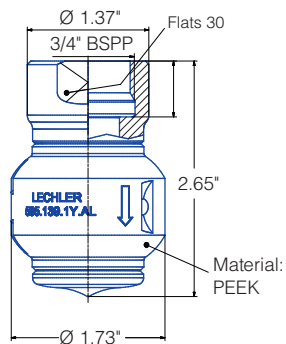
Installation
Operates in every
direction

Filtration
Line strainer with
a mesh size of
0.3 mm/50 Mesh

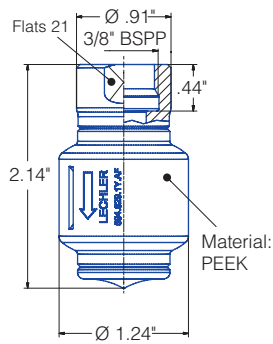
Bearing
Sleeve bearing
made of PEEK



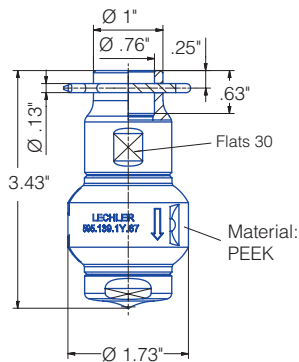
Overview of the tank diameter, depending upon the pressure of series 594 / 595



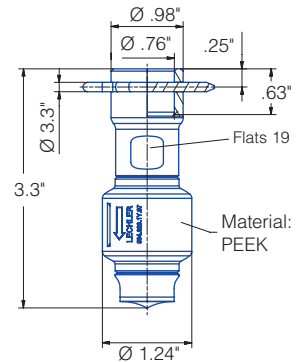
**Standard version
female tread
595.139.1Y.AL**



**Standard version
female tread
594.XX9.1Y.AF**



**EHEDG-version
Slip-on connection ASME-BPE 1997
(OD-Tube) 595.139.1Y.67**



**EHEDG-version
Slip-on connection ASME-BPE 1997
(OD-Tube) 594.XX9.1Y.67**

Spray angle	Ordering no.				Free Passage (in.)	Flow Rate (Gallons Per Minute)					Max. tank diameter [ft]
	Type	Connection				7 psi	15 psi	liters per minute 2 bar	30 psi	40 psi	
		3/8" Female BSPP	3/4" Female BSPP	3/4" Slip-on EHEDG version							
360°	594. 829. 1Y	AF	-	67	.067	1.6	2.1	11	2.9	3.4	3
	594. 879. 1Y	AF	-	67	.098	2.1	2.9	15	4.0	4.5	4
	595. 009. 1Y	AF	-	67	.157	4.2	5.8	32	8.4	9.7	5
	595. 049. 1Y	AF	-	67	.165	5.3	7.4	40	10.6	12.2	7
	595. 139. 1Y	-	AL	67	.197	9.0	12.4	67	17.7	20.3	9

The maximum tank diameter shown above applies for the recommended operating pressure and is indicative only. The cleaning result is also affected by the type of soiling.

Information on operation

- Operation with compressed air purge only for short-term usage. Operation above the recommended operating pressure means higher wear and smaller droplets. This might have adverse effects on the cleaning result.

Example of ordering:	Type	+	Connection	=	Ordering no.
	594. 829. 1Y	+	AF	=	594. 829. 1Y. AF

Slip-on information

- R-clip made of stainless steel AISI 316L is included (Ordering no.: 095.022.1Y.50.94.E).
- Depending on diameter of the adapter the flow rate can increase due to leakage between the connection and rotating cleaning nozzle.