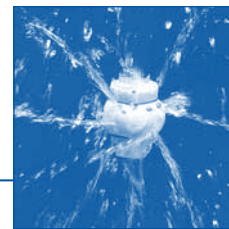




PTFE Hi Temp Whirly – solution for high temperature cleaning Series 599



Tank cleaning

Series 599

While PTFE can withstand high temperatures, its dimensional stability limits its range as a tank cleaning device. Lechler's design incorporates Hastelloy® rings to control the expansion of the material so it can continue to operate reliably in hotter environments than normally possible. The nozzle's temperature range is actually extended, since it can perform equally well under normal conditions.

Product features:

- Balanced rotating action
- Operates in every position
- Free spinning, self-lubricating, and self-flushing
- Withstands repeated high temperature cycles
- Suitable for low pressure steam; slip-on sanitary model has been tested with steam up to 30 psig @ 274°F.

■ **FDA-compliant**
(see page 24)

Applications:

- For small and medium-sized vessels and reactors in higher temperature processing environments
- Corrosive environments

Max. tank diameter:

Rinsing: 18 ft.
Cleaning: 10 ft.

Operating pressure:

15 – 40 psi, max. 90 psi

Max. fluid temperature:

274°F

Weight:

3/4" .36 lb.

Materials:

PTFE

Rings: Hastelloy® C-276
R-clip made of Hastelloy® C-276 included with the tube slip on. For reordering: 095.022.24.50.94.1

Bearing: Sleeve bearing

Filtration:

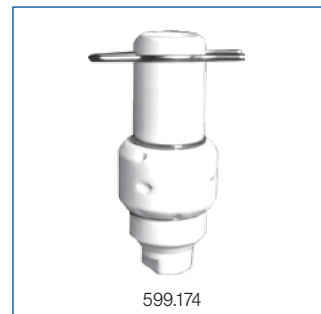
Line strainer with 50 mesh size



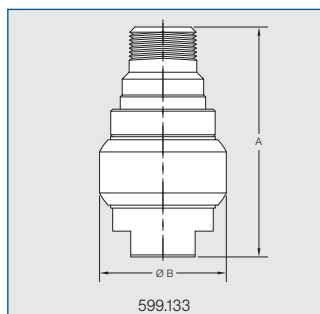
599.133



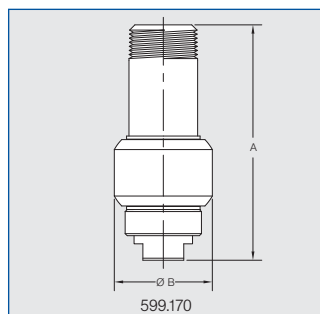
599.170



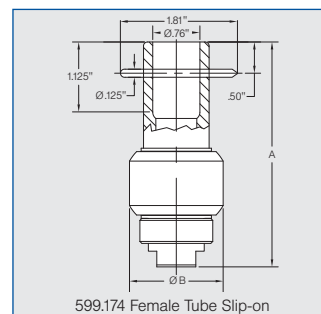
599.174



599.133



599.170



599.174 Female Tube Slip-on

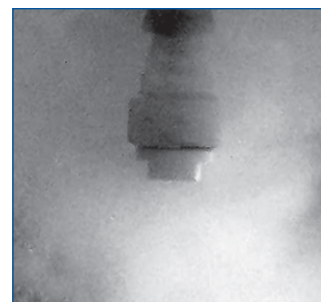
Spray Angle	Ordering no.			Free Passage (in.)	Flow Rate (Gallons Per Minute)				Length A (in.)	Width B (in.)	Weight (lb.)	
	Type	Connection			20 psi	2 bar	40 psi	60 psi				
360°	360°	599. 133. 55	BK	-	.063	22	100	31	38	3.5	2.0	.35
		599. 170. 55	BK	-	.063	19	84	26	32	3.6	1.5	.25
		599. 174. J7	-	TF07	.063	19	84	26	32	3.6	1.5	.25

Please note: We do not recommend operation of these products with compressed air or gases. However, these products have been shown to be suitable for spraying low pressure steam (refer to **Applications** above). To protect the products' inner workings when spraying liquid, we suggest use of a line strainer with a 50 mesh size. For further information, please contact Lechler.

The nozzles with a slip-on connection type fitting may have a higher flow rate than listed due to the self-flushing design around the customer's tube which is inserted into the nozzle socket.

Example	Type	+	Conn.	=	Ordering no.
for ordering:	599. 170. 55.	+	BK	=	599. 170. 55. BK

Hastelloy® is a registered trademark of Haynes International Inc.



PTFE Whirly spraying steam

For various configurations to mount your tank cleaning nozzle, see the Lances and Nozzle Headers section beginning on page 137.

