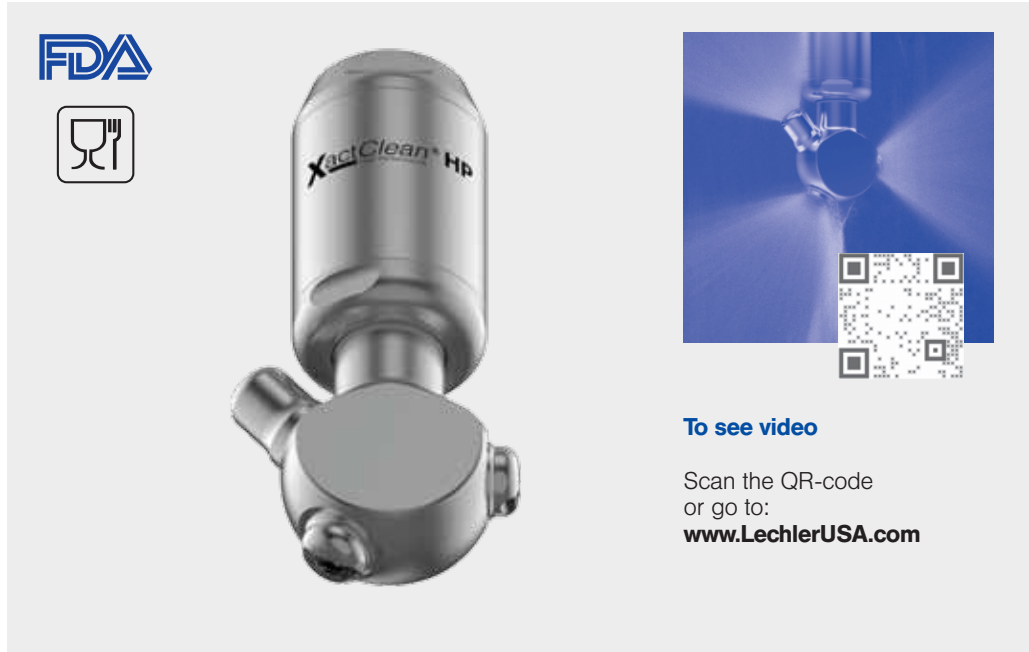




Rotating cleaning nozzle "XactClean® HP" Series 5S2 / 5S3

Series 5S2 / 5S3

Specially developed flat fan nozzles provide high impact and uniform cleaning for the XactClean® HP. The controlled rotation ensures that the XactClean® HP works extremely efficient. Thanks to the robust drive unit the XactClean® HP is very reliable and ensures increased operation liability. It is available in various spray angles and flow rates and is also compatible with the Lechler rotating monitoring sensor.



To see video

Scan the QR-code
or go to:
www.LechlerUSA.com

	Max. tank diameter [ft]	0	5	10	15	20	25
--	--------------------------------	---	---	----	----	----	----

Materials
Stainless steel AISI 316L,
stainless steel AISI 316,
PEEK, PTFE, Zirconium
oxide, EPDM

Max. temperature
203°F/ 95°C

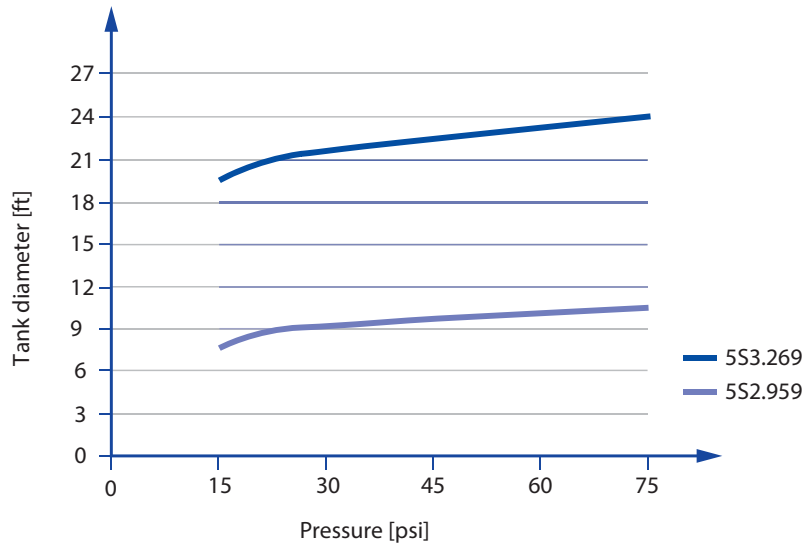
**Recommended
operating pressure**
75 psi

Installation
Operates in every
direction

Filtration
Line strainer with
a mesh size of
0.3 mm/50 mesh

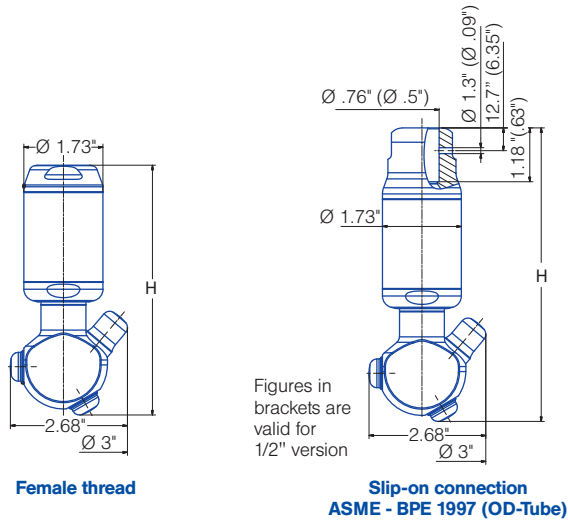
Bearing
Double ball bearing

**Rotation
monitoring sensor**
Sensor compatible,
Info: see page 68



Overview of the tank diameter, depending upon the pressure of series 5S2 / 5S3

Nozzle dimensions [in]



Connection	H
BF	5.83
BH	5.87
BL	5.47
BN	5.47
TF05	5.91
TF07	6.46

Example of ordering ATEX approval

Unit group / category / zones:
II 1 GD c IIB TX 120 °C +4 °C ≤ Ta ≤ +90 °C

for zone 0, 1, 2 (gas atmosphere)
for zone 20, 21, 22 (dust atmosphere)



Example Type + Connection = Ordering no.
of ordering: 5S2.955.1Y.XX.EX + BF = 5S2.955.1Y.BF.EX

Spray angle	Ordering no.							Free Passage (in.)	Flow Rate (Gallons Per Minute)					Max. tank diameter [ft]
	Type	Connection							liters per minute 2 bar	30 psi	40 psi	75 psi	145 psi	
		3/8" Female NPT	1/2" Female NPT	3/4" Female NPT	1" Female NPT	1/2" OD Slip-on	3/4" OD Slip-on							
270°	5S2.955.1Y	BF	BH	-	-	TF05	-	.08	25	6.6	7.8	10.6	15.1	11.5
	5S3.055.1Y	-	BH	-	-	TF05	-	.08	41	10.8	12.8	17.2	24.3	13
	5S3.115.1Y	-	BH	BL	-	-	TF07	.08	60	15.9	18.4	24.8	35.1	20
	5S3.185.1Y	-	-	BL	-	-	TF07	.08	89	23.5	27.7	37.3	52.6	23
	5S3.235.1Y	-	-	BL	-	-	TF07	.08	111	29.3	34.3	46.2	65.5	25
	5S3.265.1Y	-	-	BL	BN	-	TF07	.08	135	35.7	41.8	56.3	79.5	26
270°	5S2.956.1Y	BF	BH	-	-	TF05	-	.08	25	6.6	7.8	10.6	15.1	11.5
	5S3.056.1Y	-	BH	-	-	TF05	-	.08	41	10.8	12.8	17.2	24.3	13
	5S3.116.1Y	-	BH	BL	-	-	TF07	.08	60	15.9	18.4	24.8	35.1	20
	5S3.186.1Y	-	-	BL	-	-	TF07	.08	89	23.5	27.7	37.3	52.6	23
	5S3.236.1Y	-	-	BL	-	-	TF07	.08	111	29.3	34.3	46.2	65.5	25
	5S3.266.1Y	-	-	BL	BN	-	TF07	.08	135	35.7	41.8	56.3	79.5	26
360°	5S2.959.1Y	BF	BH	-	-	TF05	-	.07	25	6.6	7.8	10.6	15.1	11.5
	5S3.059.1Y	-	BH	-	-	TF05	-	.08	41	10.8	12.8	17.2	24.3	13
	5S3.119.1Y	-	BH	BL	-	-	TF07	.08	60	15.9	18.4	24.8	35.1	20
	5S3.189.1Y	-	-	BL	-	-	TF07	.08	89	23.5	27.7	37.3	52.6	23
	5S3.239.1Y	-	-	BL	-	-	TF07	.08	111	29.3	34.3	46.2	65.5	25
	5S3.269.1Y	-	-	BL	BN	-	TF07	.08	135	35.7	41.8	56.3	79.5	26

The maximum tank diameter shown above applies for the recommended operating pressure and is indicative only. The cleaning result is also affected by the type of soiling.

Information on operation

- Operation with compressed air only for short-term usage. Operation above the recommended operating pressure means higher wear and smaller droplets. This might have adverse effects on the cleaning result.

Slip-on information

- R-clip made of stainless steel AISI 316L is included
Ordering no.: 095.022.1Y.50.60.E (TF07),
095.013.1E.05.59.0 (TF05).
- Depending on diameter of the adapter the flow rate can increase due to leakage between connecting pipe and rotating cleaning nozzle.