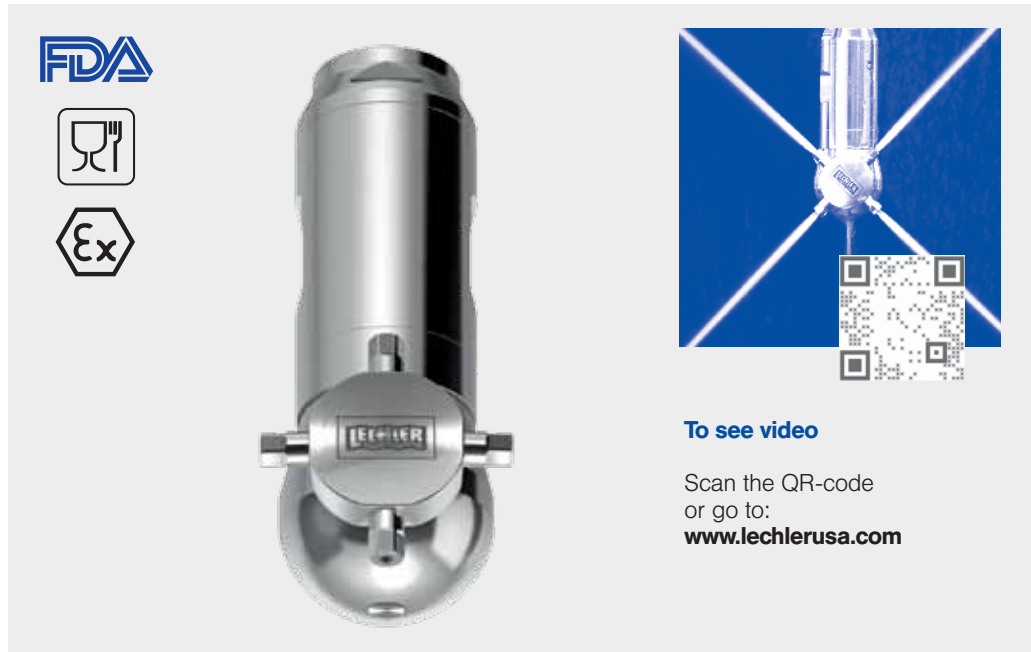




High impact tank cleaning machine Series 5TA

Series 5TA

The hygienic design and high quality of the 5TA are well suited for the pharmaceutical, food and beverage industries. It is extremely effective thanks to the particularly powerful solid jet nozzles and is also suitable for small tanks with difficult soils. The series can resist pressures of up to 217 psi and high temperatures without any problem.



	Max. Tank diameter [ft]	0	15	30	45	60
--	--------------------------------	---	----	----	----	----



Materials

Stainless steel AISI 316L, PTFE, PEEK, Zirconium oxide, EPDM, 32 RA surface finish is included with every material



Max. temperature

203°F/ 95°C
248°F/ 120°C ATEX version



Recommended operating pressure

75 psi



Installation

Operates in every direction



Filtration

Line strainer with a mesh size of 0.2 mm/80 Mesh



Bearing

Ball bearing



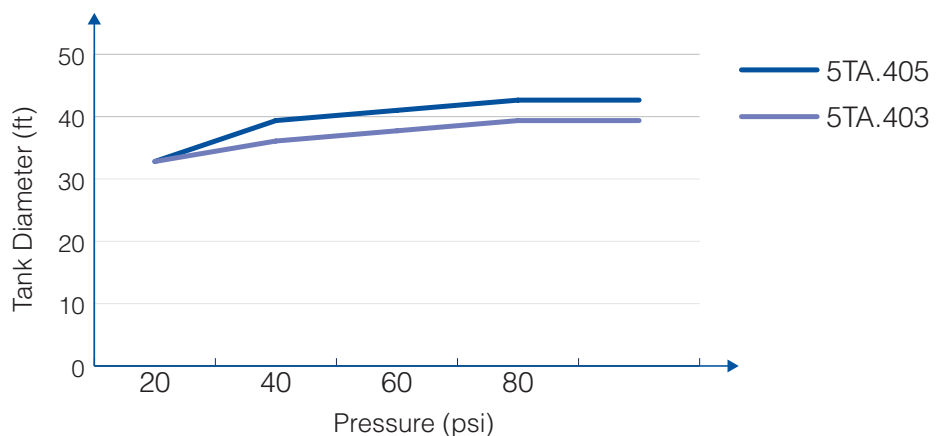
Weight

2 lbs



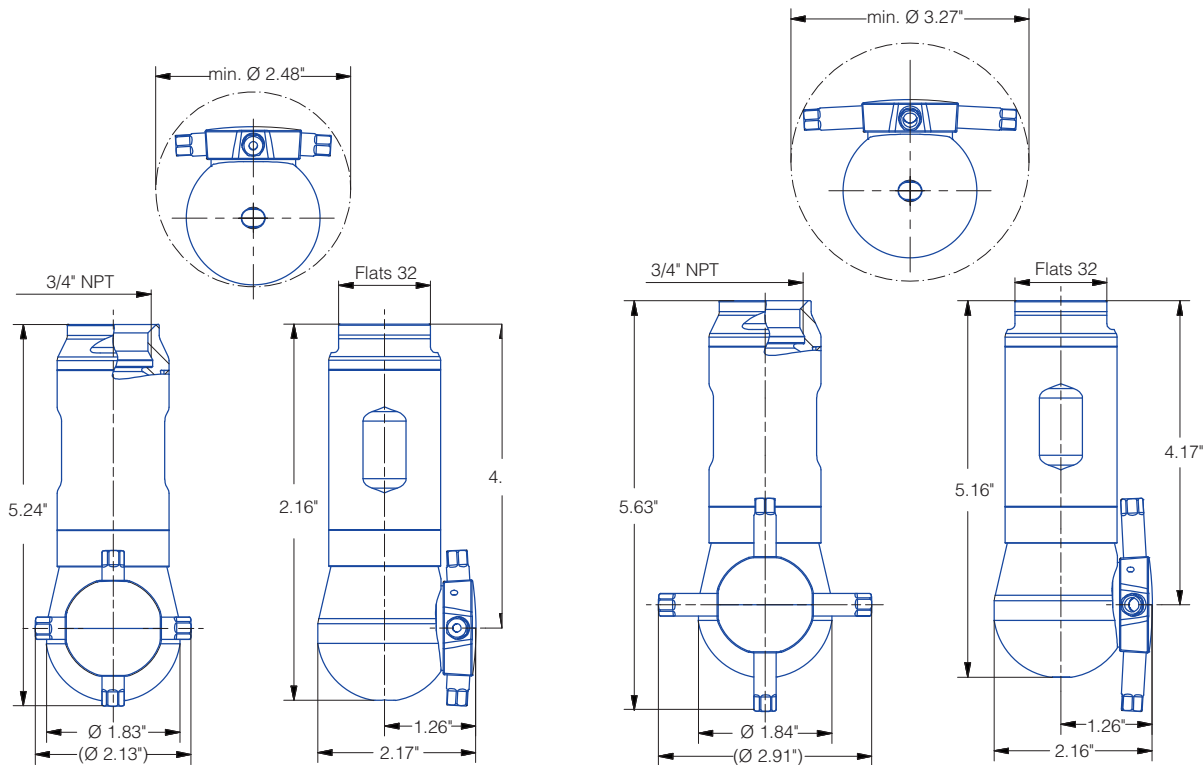
Rotation monitoring sensor

Sensor compatible
Info: see page 68





Overview of the tank diameter, depending upon the pressure of series 5TA





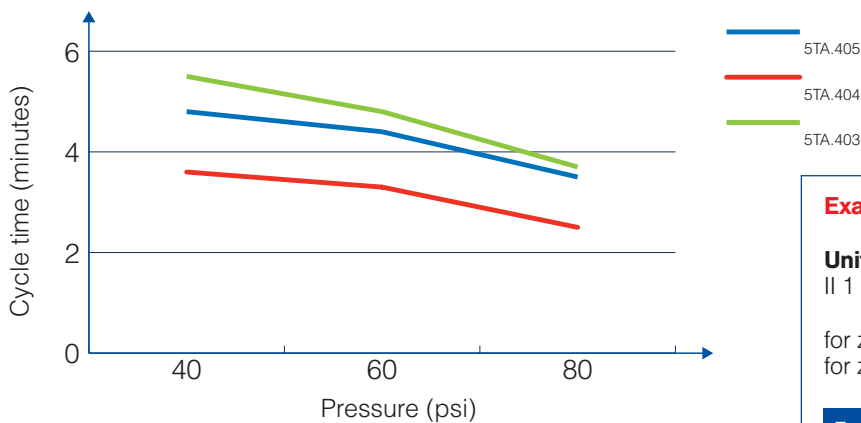
5TA.403.1Y.BL and 5TA.404.1Y.BL

5TA.405.1Y.BL

Spray angle 	Ordering no.	Free Passage (in.)	Number, Ø Nozzles [mm]	Flow Rate (Gallons Per Minute)					Max. tank diameter [ft]	
				liters per minute 2 bar	30 psi	40 psi	75 psi	145 psi		Max Pressure (psi)
360° 	5TA. 403. 1Y. BL	.059	4 x 3.0	25	7	8	11	15	217	39
	5TA. 404. 1Y. BL	.059	4 x 4.0	42	11	13	18	25	217	41
	5TA. 405. 1Y. BL	.059	4 x 5.0	50	13	16	21	30	217	43

Slip-on connection available on request.

The maximum tank diameter shown above applies for the recommended operating pressure and is indicative only. The cleaning result is also affected by the type of soiling.



Cycle time depending on pressure of series 5TA

Example of ordering ATEX approval

Unit group / category / zones:
 II 1 GD c IIB TX 120 °C +4 °C ≤ Ta ≤ +90 °C

for zone 0, 1, 2 (gas atmosphere)
 for zone 20, 21, 22 (dust atmosphere)



Example of ordering: Type + Connection = Ordering no.
 5TA.403.1Y.XX.EX + BL = 5TA.403.1Y.BL.EX