



## AirMist pneumatic atomizing nozzles

### Wide full cone, pressurized liquid supply, internal mix

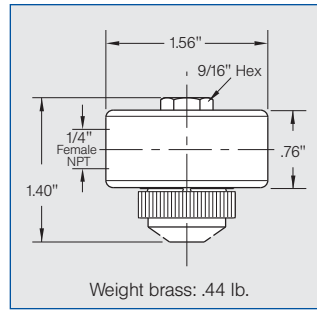
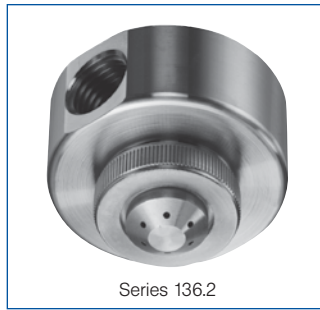
### Series 136.2



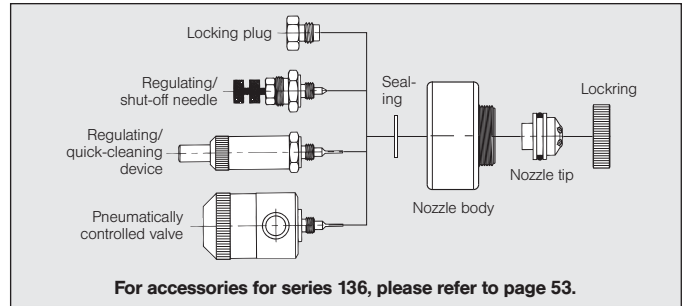
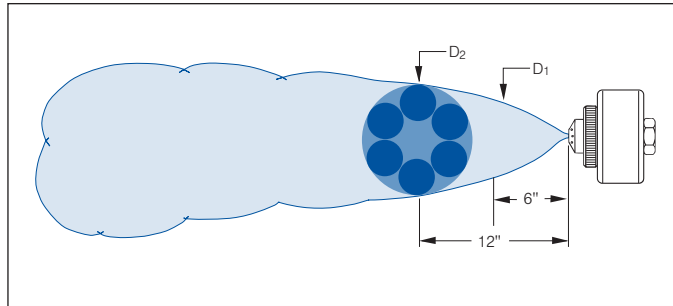
**Fine full cone atomization and fogging with air or gas. Especially wide spray angle at 60°.**

**Applications:**

- Humidification of air
- Cooling



Additional flow rate data available upon request. The body is also available in a rectangular design.



Pneumatic atomizing

Spray angle	Ordering no.		Maximum Free Passage (in.)	Liquid Flow GPH (Gallons Per Hour) at Indicated Liquid Pressure Air Flow SCFM (Standard Cubic Feet Per Minute)												Spray Dimensions				
	Type	Mat. no.		10 psi			20 psi			40 psi			60 psi			Air psi	Liq. psi	D1 (in.)	D2 (in.)	
				Air psi	GPH	SCFM	Air psi	GPH	SCFM	Air psi	GPH	SCFM	Air psi	GPH	SCFM					
	316L SS 1Y	Brass Nickel Plate 35																		
60°	136. 215. xx. B2	○	○	.020	15	.79	.77	23	1.5	1.0	41	2.2	1.4	55	2.5	1.8	15	10	8	12
					17	.48	.88	26	1.3	1.1	46	1.9	1.6	61	2.2	2.1	23	20	9	15
					20	.18	1.1	29	1.0	1.2	52	1.5	1.9	67	1.8	2.3	35	30	9	15
								32	.74	1.4	58	1.1	2.1	73	1.4	2.5	46	40	10	15
								35	.45	1.5	64	.58	2.4	78	1.0	2.8	61	60	10	16
								38	.21	1.6	70	.21	2.6	84	.61	3.1				
											73	.11	2.7	87	.37	3.3				
	136. 222. xx. B2	○	○	.039	12	4.6	1.6	23	6.8	2.4	44	11	3.4	55	15	3.8	12	10	10	18
					15	1.6	2.5	26	3.9	3.1	46	8.3	4.1	58	12	4.3	23	20	10	18
								29	1.8	3.9	49	5.9	4.8	61	9.9	5.0	33	30	10	18
								32	.50	4.8	52	3.9	5.6	64	7.8	5.7	46	40	10	18
											55	2.2	6.5	67	5.7	6.6	61	60	10	18
											58	1.2	7.2	70	4.0	7.3				
	136. 231. xx. B2	○	○	.055	23	6.8	3.0	38	12	4.1	52	25	4.6	61	35	4.3	29	10	9	15
					29	4.7	3.6	44	8.7	4.8	58	21	5.5	67	31	5.3	38	20	10	16
					35	3.0	4.2	49	6.5	5.4	64	17	6.2	73	27	6.1	35	30	10	17
41					1.8	4.8	55	4.8	6.0	70	15	7.0	78	23	6.9	52	40	10	17	
							61	3.5	6.6	75	12	7.7	84	20	7.8	61	60	10	17	
							67	2.5	7.1	81	10	8.3	87	19	8.1					

**Example**    Type    +    Material no. (xx)    =    Ordering no.  
**for ordering:**    136. 215. xx. B2    +    1Y    =    136. 215. 1Y. B2

For accessories and spare parts, see page 53 of this section.

For various configurations to mount your pneumatic air nozzles, see the Lances and Nozzle Headers section beginning on page 137.

