



AirMist pneumatic atomizing nozzles

Wide flat fan, gravity/siphon liquid supply, internal mix

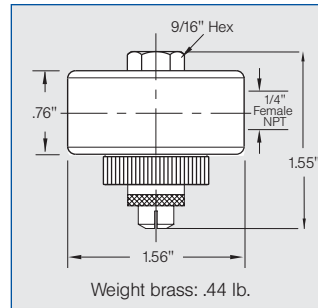
Series 136.5



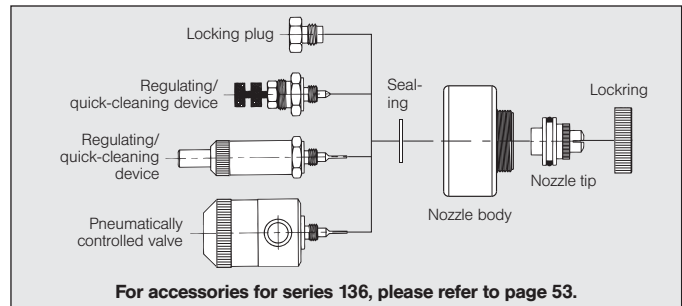
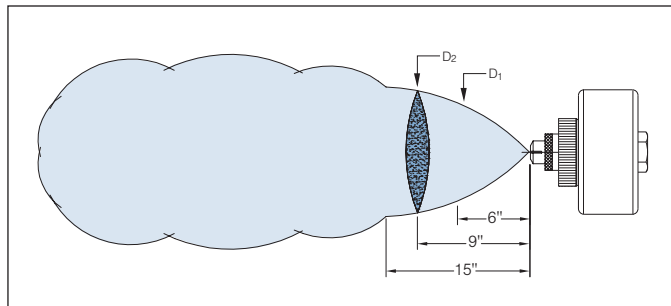
Particularly fine flat fan atomization with air or gas. Siphon principle. Internal mixing of fluids.

Applications:

- Web dampening
- Cooling
- Humidification of goods



Additional flow rate data available upon request. The body is also available in a rectangular design.



Pneumatic atomizing

Spray angle	Ordering no.		Maximum Free Passage (in.)	Flow Rate (Gallons Per Hour)										Spray Dimensions				
	Type	Mat. no.		Air Pressure psi	Air Capacity SCFM	Gravity Head			Siphon Height					Air psi	Siphon Height (in.)	D1 (in.)	D2 (in.)	
						6"	12"	18"	4"	8"	12"	24"	36"					
60°	136. 516. xx. B2	1Y	35	.016	20	1.4	.52	.57	.59	.49	.48	.44	.39	.32	15	12	5	6
					26	1.7	.52	.59	.62	.50	.49	.47	.40	.33	44	12	6	8
					29	1.8	.52	.58	.61	.50	.48	.44	.40	.33	67	12	7	9
					38	2.2	.48	.59	.59	.46	.45	.42	.38	.31	87	12	7	9
					46	2.6	.45	.51	.57	.44	.43	.42	.42	.36				
					55	3.0	.51	.48	.55	.49	.49	.48	.45	.39				
					61	3.2	.52	.54	.58	.51	.48	.48	.44	.45				
					64	3.3	.52	.54	.58	.50	.49	.48	.46	.47				
					70	3.6	.53	.54	.57	.53	.53	.54	.54	.52				
	78	4.0	.61	.62	.60	.59	.59	.57	.54	.49								
	81	4.1	.61	.60	.59	.58	.57	.55	.53	.48								
	87	4.3	.59	.59	.59	.55	.55	.54	.51	.47								
	136. 525. xx. B2	1Y	35	.020	20	1.5	.75	.77	.81	.70	.66	.64	.56	.48	15	12	6	9
					26	1.8	.78	.80	.83	.73	.70	.68	.58	.50	44	12	8	12
					29	1.9	.78	.80	.83	.72	.71	.68	.58	.48	67	12	8	12
					38	2.3	.75	.76	.80	.66	.65	.61	.51	.43	87	12	10	16
					46	2.7	.65	.66	.72	.55	.52	.50	.46	.50				
					55	3.1	.62	.63	.67	.59	.59	.57	.52	.49				
61					3.4	.62	.62	.64	.58	.56	.56	.51	.48					
64					3.5	.61	.61	.64	.58	.55	.54	.52	.48					
70					3.8	.59	.59	.64	.56	.54	.55	.50	.56					
78	4.2	.67	.59	.62	.69	.67	.66	.60	.55									
81	4.3	.66	.65	.68	.68	.67	.63	.57	.53									
87	4.6	.68	.69	.73	.63	.63	.58	.51	.48									

Example for ordering: Type 136. 525. xx. B2 + Material code (xx) 1Y = Ordering no. 136. 525. 1Y. B2

For accessories and spare parts, see page 53 of this section.

For various configurations to mount your pneumatic air nozzles, see the Lances and Nozzle Headers section beginning on page 137.

