



AirMist pneumatic atomizing nozzles

Wide full cone, pressurized liquid supply, internal mix

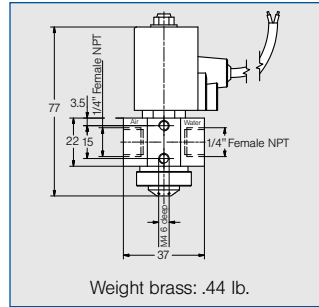
Series 166.2



Version with magnetic valve.
Fine full cone atomization
with fogging with air or gas.
Especially wide spray angle
of 60°.

Applications:

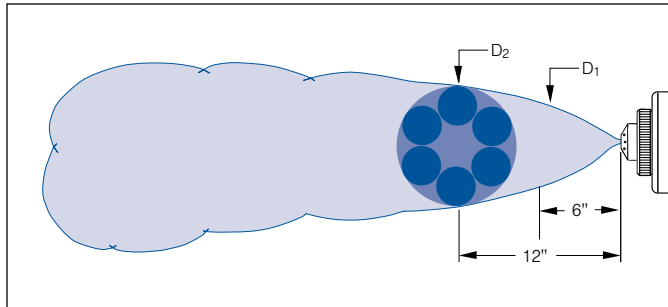
- Humidification of air
- Cooling



Series 166.2

Technical data:

- Pressure: 0-90 PSI
- Voltage: 24 VDC
- Power: 8W
- Frequency: 500 per min.
- Enclosure rating: IP67
- Temperature: 50°-122°F
- Cable length: 40"
- Seal: EPDM



Additional flow rate data available upon request.

Pneumatic atomizing

Spray angle	Ordering no.	Maximum Free Passage (in.)	Liquid Flow GPH (Gallons Per Hour) at Indicated Liquid Pressure Air Flow SCFM (Standard Cubic Feet Per Minute)												Spray Dimensions				
			10 psi			20 psi			40 psi			60 psi			Air psi	Liq. psi	D1 (in.)	D2 (in.)	
			Air psi	GPH	SCFM	Air psi	GPH	SCFM	Air psi	GPH	SCFM	Air psi	GPH	SCFM					
60°	166. 215. 16. B2	.020	15	.79	.77	23	1.5	1.0	41	2.2	1.4	55	2.5	1.8	15	10	8	12	
			17	.48	.88	26	1.3	1.1	46	1.9	1.6	61	2.2	2.1	23	20	9	15	
			20	.18	1.1	29	1.0	1.2	52	1.5	1.9	67	1.8	2.3	35	30	9	15	
						32	.74	1.4	58	1.1	2.1	73	1.4	2.5	46	40	10	15	
						35	.45	1.5	64	.58	2.4	78	1.0	2.8	61	60	10	16	
						38	.21	1.6	70	.21	2.6	84	.61	3.1					
										87	.37	3.3							
		166. 222. 16. B2	.039	12	4.6	1.6	23	6.8	2.4	44	11	3.4	55	15	3.8	12	10	10	18
	15			1.6	2.5	26	3.9	3.1	46	8.3	4.1	58	12	4.3	23	20	10	18	
						29	1.8	3.9	49	5.9	4.8	61	9.9	5.0	33	30	10	18	
						32	.50	4.8	52	3.9	5.6	64	7.8	5.7	46	40	10	18	
									55	2.2	6.5	67	5.7	6.6	61	60	10	18	
									58	1.2	7.2	70	4.0	7.3					
										73	2.6	8.1							
		166. 231. 16. B2	.055	23	6.8	3.0	38	12	4.1	52	25	4.6	61	35	4.3	29	10	9	15
	29			4.7	3.6	44	8.7	4.8	58	21	5.5	67	31	5.3	38	20	10	16	
	35			3.0	4.2	49	6.5	5.4	64	17	6.2	73	27	6.1	35	30	10	17	
	41			1.8	4.8	55	4.8	6.0	70	15	7.0	78	23	6.9	52	40	10	17	
					61	3.5	6.6	75	12	7.7	84	20	7.8	61	60	10	17		
					67	2.5	7.1	81	10	8.3	87	19	8.1						

For various configurations to mount your pneumatic air nozzles, see the Lances and Nozzle Headers section beginning on page 145.

