



Cert. No. LRQ 0963008

ISO 9001

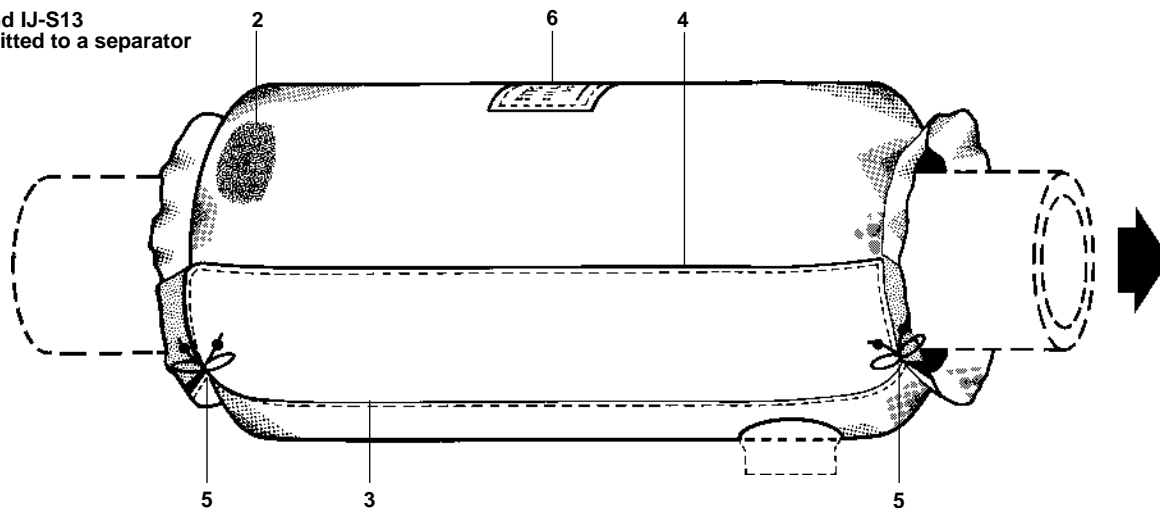
spirax sarco

TI-P023-39

ST Issue 3

IJ-S3 and IJ-S13 Insulation Jackets for S3 and S13 Separators

IJ-S3 and IJ-S13
shown fitted to a separator



Description

A range of one piece insulation jackets having velcro fastenings, for fitting to flanged S3 and S13 separators. TI-P023-37 gives details of a payback calculator based on the energy saving to be made by fitting an insulation jacket.

Available types

IJ-S3 and IJ-S13 for insulating DN40 to DN200, S3 and S13 separators

Limiting conditions

Maximum metal surface temperature 220°C
Thermal conductivity 0.044 W/m K at 100°C

Materials

No.	Part	Material
1	Inner and outer face	Silicone rubber coated glass fibre
2	Insulation	Mineral fibre
3	Stitching	Polyester cotton
4	Sealing	Velcro
5	Drawcords	Nylon
6	Label	Nylon

Installation

Once the separator has been installed, the insulation jacket can be fitted as follows:

IJ-S3 and IJ-S13

Place the jacket onto the top of the separator, wrap around and secure jacket into position by using the velcro flap. The label should be on top and the large flap on the underside of the separator to prevent the ingress of water. The jacket shall be positioned so that the drain connection passes through the circular opening. Finally, pull and tie the drawcords to minimise any gaps that would allow air to flow through or allow ingress of water.

Important note:

Both the inner/outer face and insulation are made with a bonded aluminium foil. At a temperature of 120°C the adhesive bonding the aluminium will start to degrade and delamination of the foil will occur at 150°C to 170°C.

Scorching of the internal fabric may occur at 150°C. Neither of these reactions will impair the performance.

Removal

Before removing the jacket, check if the separator is in service. If it is then the metal surface will be hot enough to burn and suitable protective clothing (e.g. gloves) should be worn. Removal is the reverse procedure to the above.

Handling

When the jacket is new the insulation material is fully enclosed within the inner and outer face and retained by the stitching. In this condition for handling no special protective clothing is required. However, if the inner and outer face becomes unstitched or damaged, so as to expose the insulation material then suitable protective clothing (e.g. gloves, safety glasses, face mask and overalls) should be worn when handling.

Disposal

This product is **not** recyclable and is non-combustible. For disposal purposes consider the product to be mineral fibre and dispose of in accordance with local regulations.

How to order

Example: 1 off IJ-S3 insulation jacket to fit a DN50, S13 separator.

Dimensions /mass (approximate) in mm and kg
IJ-S3 and IJ-S13

Size	A	B1	B2	C	Insulation thickness	Mass
DN40	525	590	575	53	50	1.30
DN50	650	640	640	53	50	1.58
DN65	640	890	690	53	50	2.29
DN80	700	910	760	53	50	2.80
DN100	810	1 270	910	53	50	5.10
DN125	845	1 510	1 374	53	50	5.32
DN150	845	1 510	1 374	53	50	5.32
DN200	950	1 884	1 500	53	50	5.80

The diagram opposite shows the unfolded dimensions of the jacket

