



Cert. No. LRQ 0963008

ISO 9001

spirax/sarco

S1 SG Iron Separator

TI-P023-02

ST Issue 8

Description

The S1 is a cast SG iron baffle type separator used for the removal of entrained liquids in steam, compressed air and gas systems. The fitting of insulation jackets will increase the performance of the separator.

Standards

This product fully complies with the requirements of the European Pressure Equipment Directive 97/23/EC.

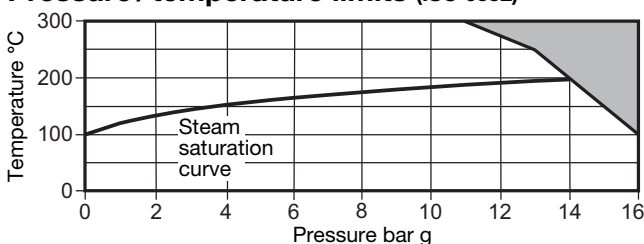
Certification

This product is available with a manufacturers' Typical Test Report. **Note:** All certification/inspection requirements must be stated at the time of order placement.

Sizes and pipe connections

1/2", 3/4" and 1" screwed BSP or NPT

Pressure / temperature limits (ISO 6552)



The product **must not** be used in this region.

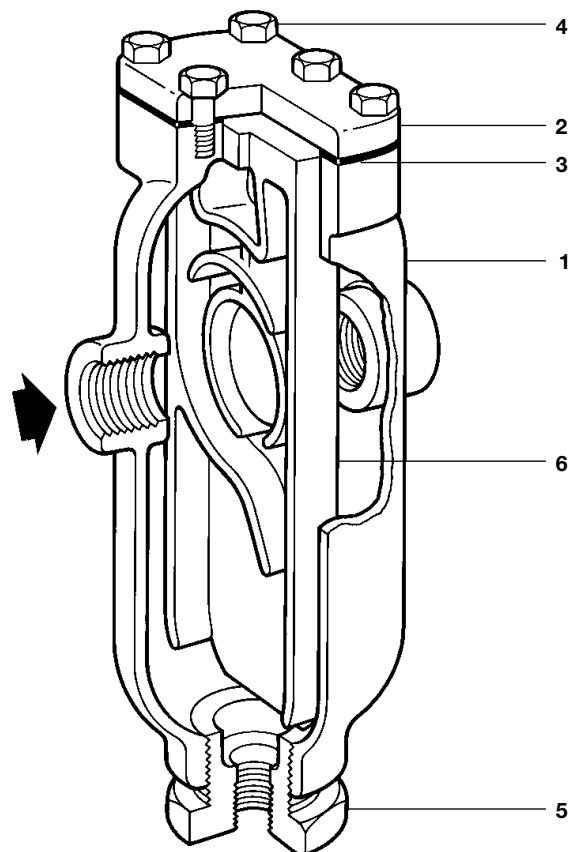
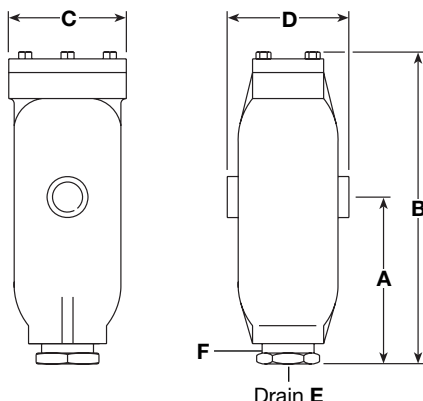
Body design conditions	PN16
PMA Maximum allowable pressure	16 bar g @ 100°C
TMA Maximum allowable temperature	300°C @ 11 bar g
Minimum allowable temperature	0°C
PMO Maximum operating pressure for saturated steam service	13.8 bar g
TMO Maximum operating temperature	200°C @ 13.8 bar g
Minimum operating temperature	0°C

Note: For lower operating temperatures consult Spirax Sarco
Designed for a maximum cold hydraulic test pressure of 24 bar g

Dimensions, weights and volumes

(approximate) in mm, kg and litres

Size	A	B	C	D	E	F	Weight	Volume
1/2"	124	225	86	88	1/2"	1"	2.7	0.53
3/4"	156	260	110	113	1/2"	1 1/2"	4.2	1.13
1"	222	377	143	152	1/2"	2"	8.1	3.15



Materials

No.	Part	Material
1	Body	SG iron DIN 1693 Gr. GGG 40
2	Cover	SG iron DIN1693 Gr. GGG 40
3	Gasket	Semi-rigid graphite laminate
4	Bolts	Steel BS 1768 Gr. 5
5	Bush	1/2" 3/4" Steel 1" Steel ASTM A105
6	Baffle	Cast iron DIN 1691 Gr. GG20

Safety information, installation and maintenance

For full details see the Installation and Maintenance Instructions (IM-P023-55) supplied with the product.

Installation note:

Install in a horizontal pipeline with the drain directly below. **Note:** To ensure that any separated liquid is drained away quickly, a suitable liquid drainer/steam trap must be connected to the drain connection 'E' - consult Spirax Sarco for further details.

Disposal

This product is recyclable. No ecological hazard is anticipated with the disposal of this product providing due care is taken.

How to order

Example: 1 off 3/4" Spirax Sarco S1 separator with SG iron body having screwed BSP connections.