



Cert. No. LRQ 0963008

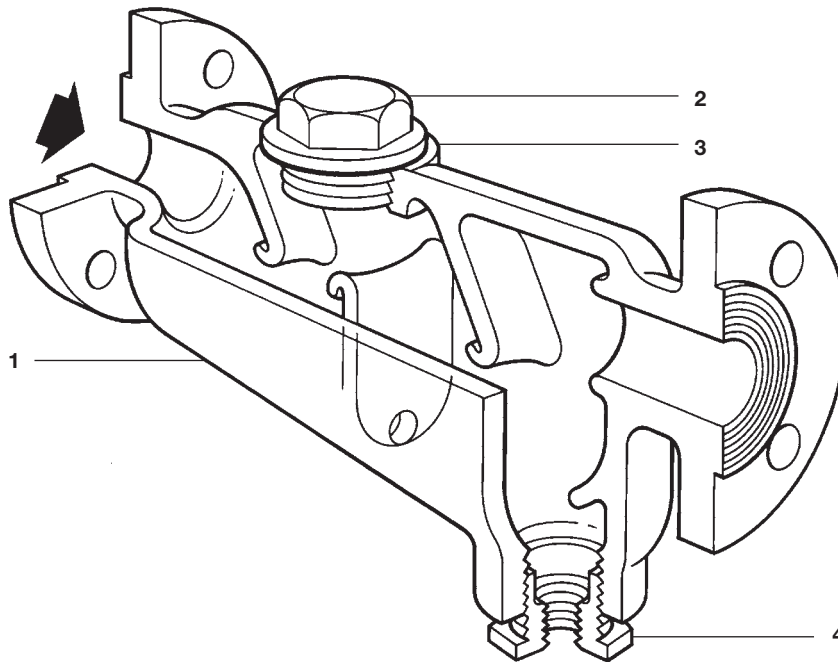
ISO 9001

spirax/sarco

TI-P023-26
ST Issue 10

S13 SG Iron

Separator (Flanged)



Description

The S13 separator is an SG iron baffle type separator used for the removal of entrained liquids in steam, compressed air or gas systems. The fitting of insulation jackets will increase the performance of the separator.

Standards

This product fully complies with the requirements of the European Pressure Equipment Directive 97/23/EC.

Certification

This product is available with a manufacturers' Typical Test Report.
Note: All certification/inspection requirements must be stated at the time of order placement.

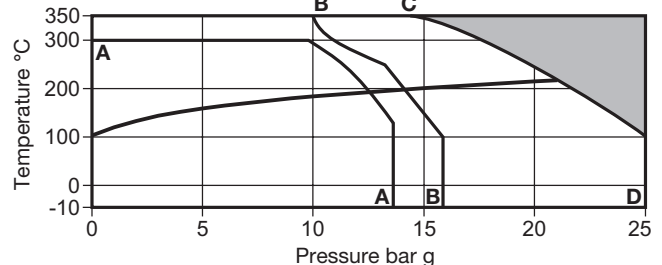
Sizes and pipe connections

DN40, DN50, DN65, DN80, DN100, DN125, DN150 and DN200.
Flanged EN 1092 PN16 and PN25 with screwed BSP drain.
Flanged JIS/KS 10K with screwed BSP drain.
Flanged JIS/KS 20K with screwed BSP drain - DN40, DN50, DN65 and DN200 only.

Materials

No.	Part	Material
1	Body	SG iron BS EN 1563 / EN-JS1030
2	Plug	Carbon steel 1.0460 (C22.8)
3	Gasket	Reinforced exfoliated graphite
4	Drain reducing bush	Forged carbon steel ASTM A105

Pressure/temperature limits (ISO 6552)



The product must not be used in this region.

- A - A** Flanged JIS 10K
- B - B** Flanged EN 1092 PN16
- B - C - D** Flanged EN 1092 PN25 and JIS 20K

Note: S13 flanged type separators may be supplied with a lower pressure rating than that cast into the body. Reference should be made to the appropriate operating chart to determine the actual product limitations.

Body design conditions	PN25	
PMA	Maximum allowable pressure	25 bar g @ 100°C
TMA	Maximum allowable temperature	350°C @ 14 bar g
Minimum allowable temperature		-10°C
PMO	Maximum operating pressure for saturated steam service	JIS/KS 10K 12.3 bar g
		PN16 13.7 bar g
		PN25 and JIS/KS 20K 21.3 bar g
TMO	Maximum operating temperature	350°C @ 14 bar g
Minimum operating temperature		-10°C
Note: For lower operating temperatures consult Spirax Sarco		
Designed for a maximum cold hydraulic test pressure of:	JIS/KS 10K	20.4 bar g
	PN16	24.0 bar g
	PN25 and JIS/KS 20K	37.5 bar g

Local regulations may restrict the use of this product to below the conditions quoted.

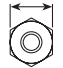

In the interests of development and improvement of the product, we reserve the right to change the specification without notice.

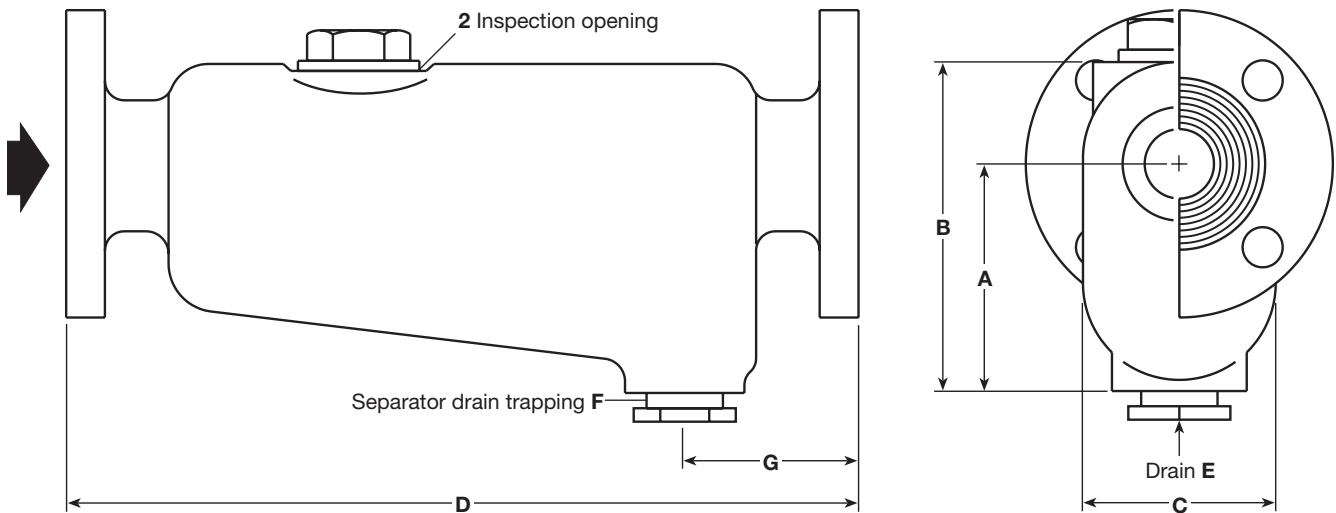
© Copyright 2009

Dimensions, weight and volumes (approximate) in mm, kg and litres

Size	A	B	C	D	E	F	G	Weight	Volume
DN40	111	156	89	365	½"	1"	94	14	1.6
DN50	146	205	117	456	½"	1"	98	25	3.2
DN65	178	249	146	406	¾"	1½"	98	28	4.6
DN80	178	252	152	483	1"	1½"	98	36	6.5
DN100	223	315	197	692	1"	1½"	118	60	13.5
DN125	226	397	381	706	1"	1½"	121	128	38.5
DN150	226	397	381	706	1"	1½"	121	130	42.5
DN200	308	502	426	762	1½"	1½"	140	190	68.0

Recommended tightening torques

Item	Size	 or  mm	N m
2	DN40	46 A/F M56	150 - 165
	DN50	46 A/F M56	150 - 165
	DN65	46 A/F M56	150 - 165
	DN80	60 A/F M72	190 - 210
	DN100	60 A/F M72	190 - 210
	DN125	60 A/F M72	190 - 210
	DN150	60 A/F M72	190 - 210
	DN150	60 A/F M72	190 - 210
	DN150	60 A/F M72	190 - 210
	DN200	60 A/F M72	190 - 210



Safety information, installation and maintenance

For full details see the Installation and Maintenance Instructions (IM-P023-55) supplied with the product.

Installation note:

Install in a horizontal pipeline with the drain directly below. **Note:** To ensure that any separated liquid is drained away quickly, a suitable liquid drainer or steam trap must be connected to the drain connection 'E' - consult Spirax Sarco for further details.

Disposal

This product is recyclable. No ecological hazard is anticipated with the disposal of this product, providing due care is taken.

How to order

Example: 1 off DN50 Spirax Sarco S13 separator with SG iron body having flanged EN 1092 PN16 connections.