



Pneumatic atomizing nozzles

Full cone, siphon principle, internal mix

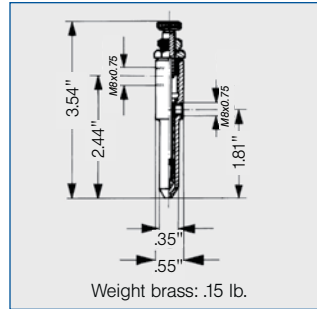
Series 140



Extremely fine full cone atomization. Siphon principle. Internal mixing of fluids. Integrated regulating device.

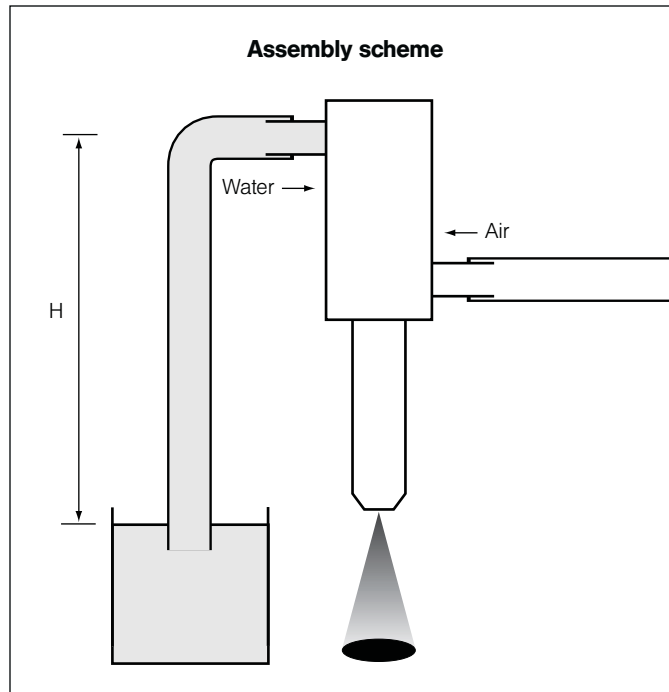
Applications:

- Lubrication
- Cooling
- Humidification of air



| Spray angle | Ordering no. | Liquid orifice (in.) | Air orifice (in.) | Aspiration height H (in.) | Air Pressure | | | | | | | |
|-------------|------------------|----------------------|-------------------|---------------------------|-------------------|----------|-------------------|------------|-------------------|------------|-------------------|------------|
| | | | | | 7.5 psi | | 15 psi | | 30 psi | | 45 psi | |
| | | | | | Liquid flow (GPH) | Air SCFM | Liquid flow (GPH) | Air SCFM | Liquid flow (GPH) | Air SCFM | Liquid flow (GPH) | Air SCFM |
| 20°-30° | 140. 252. 30. 01 | .020 | .030 | 20 8 | - 1.2 | - 1.5 | 1.2 1.8 | 2.4 2.4 | 2.1 2.6 | 3.5 3.5 | 2.8 3.2 | 4.7 4.7 |

Pneumatic atomizing



Accessories:

Gasket
014. 040. 72
 Material: Aramid fiber

Nipple
014. 010. 30. 04
 Material: Brass
 Weight: .04 lb.

