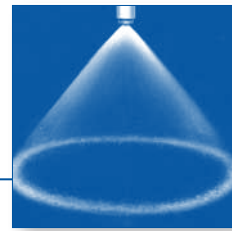




Hollow cone nozzles

Axial-flow

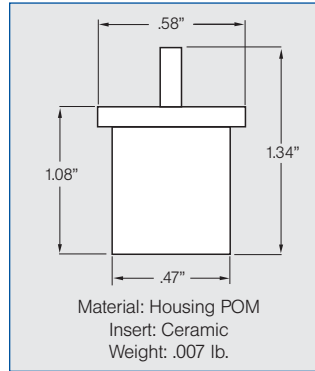
Series 2TR



Hollow cone nozzle with fine uniform spray. Assembly with retaining nut.

Applications:

- Humidification of air
- Cooling of gases
- Dust control
- Spraying onto filters



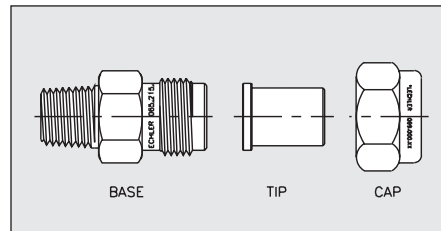
Spray angle	Ordering no.	Color	Orifice diam. (in.)	Free Passage (in.)	Flow Rate (Gallons Per Minute)							Spray Diam. D (in.) @ 40 psi H=10"
					10 psi	20 psi	liters per minute 2 bar	40 psi	60 psi	80 psi	100 psi	
80°	2TR. 245. C8	Magenta	.026	.022	.02	.04	.16	.05	.06	.07	.08	18
	2TR. 275. C6	Black	.032	.028	.03	.05	.22	.07	.08	.10	.11	18
	2TR. 305. C6	Orange	.035	.032	.05	.07	.32	.10	.12	.14	.16	18
	2TR. 345. C6	Green	.043	.035	.07	.11	.48	.15	.18	.21	.24	18
	2TR. 365. C6	Yellow	.055	.037	.10	.14	.63	.20	.24	.28	.31	18
	2TR. 405. C6	Blue	.067	.043	.15	.21	.96	.30	.36	.42	.47	18
	2TR. 445. C6	Red	.079	.047	.20	.28	1.3	.39	.48	.55	.62	18
	2TR. 485. C6	Brown	.087	.051	.24	.34	1.6	.49	.60	.69	.77	18

Hollow cone

Materials		
Material no.	Nozzle housing	Nozzle insert
C6	POM	Aluminum Oxide
C8	POM	Zirconium Oxide

Bases and Caps for Mounting

Inlet NPT Male	Outlet Male	Part No.	Standard Materials: 17 316 SS 30 Brass
1/4"	11/16 x 16	065. 215. XX. 10	
3/8"	11/16 x 16	065. 211. XX. 10	
1/4"	3/8 BSPP	065. 215. XX. 11	
3/8"	3/8 BSPP	065. 215. XX. 12	
Caps			Other materials available. See Accessories beginning on page 123.
To fit 11/16x16		069. 000. XX. 00	
To fit 3/8 BSPP		065. 200. XX. 00	



A listing of alternatives for various assembly possibilities is shown in the Accessories section beginning on page 123.

Conversion formula for the above series: $V_2 = V_1 \sqrt{\frac{P_2}{P_1}}$
(See page 12 for symbol definitions.)

