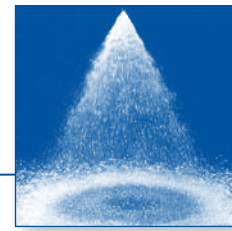




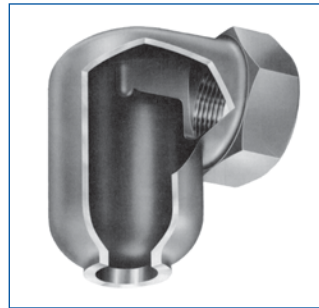
Hollow cone nozzles Tangential-flow Ramp Bottom® Series 373



Hollow cone spray with fine droplets and uniform distribution even at low pressure. Patented swirl chamber design with built-in ramp extends service life.

Applications:

- Wet scrubbers
- Gas cooling and conditioning
- Dust suppression
- Chemical reactors
- Spray pond cooling



Inlet (Female NPT)	Dimensions (in.)				Wt. (lb.)
	A	B (Hex)	C	D	
1	2.62	1-5/8	2.05	1.78	.8
1-1/4	3.03	1-7/8	2.56	2.00	1.4
1-1/2	3.81	2-3/16	3.19	2.56	2.4
2	4.25	2-13/16	3.69	2.81	3.1
3	6.03	4	4.62	4.50	17

Hollow cone

Type	Ordering no.						Orifice diam. (in.)	Flow Rate (Gallons Per Minute)										Spray Angle in degrees at		
	Mat. no.	Connection						liters per minute										5 psi	15 psi	40 psi
		Female NPT	1"	1 1/4"	1 1/2"	2"		3"	5 psi	10 psi	15 psi	20 psi	2 bar	40 psi	60 psi	80 psi	100 psi			
373. 115	○	BN	-	-	-	-	0.45	6.6	9.3	11	13	60	19	23	26	29	64	64	71	
373. 175	○	BN	-	-	-	-	0.52	9.4	13	16	19	85	27	32	37	42	80	80	82	
373. 235	○	-	BQ	-	-	-	0.64	13	19	23	27	121	38	46	53	59	66	66	75	
373. 285	○	-	BQ	-	-	-	0.74	18	26	32	37	167	52	63	73	82	80	80	84	
373. 325	○	-	-	BS	-	-	0.8	21	30	37	43	196	61	74	86	96	80	80	85	
373. 365	○	-	-	BS	-	-	0.95	27	39	47	54	248	77	94	109	122	74	74	77	
373. 445	○	-	-	-	BW	-	1.14	45	63	77	89	406	126	154	178	199	77	77	80	
373. 465	○	-	-	-	BW	-	1.21	51	72	88	101	461	143	175	202	226	82	82	90	
373. 514	○	-	-	-	-	MB	1.45	65	92	112	129	590	183	224	259	289	56*	62**	-	
373. 554	○	-	-	-	-	MB	1.62	81	115	141	163	741	230	282	325	364	62*	68**	-	

* degree is for 3 psi
** degree is for 7 psi

Example	Type	+ Material no.	+ Conn.	= Ordering no.
for ordering:	373. 325	+ 17	+ BS	= 373. 325. 17. BS

This product line is also available in larger capacities with inlets up to 6" in size. Please contact Lechler if you have an application requiring a larger size.

