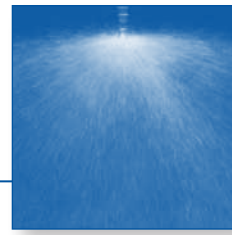




Deflector-plate nozzles

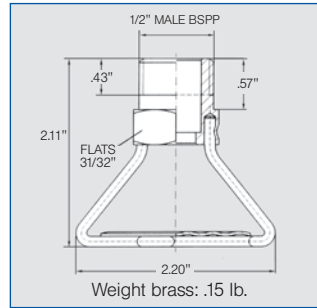
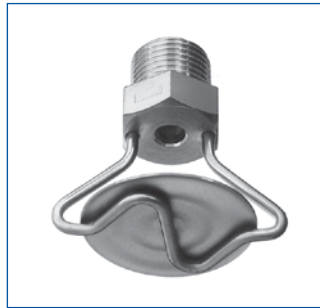
Series 524 / 525



Full cone spray has no swirl insert for greater clog resistance.

Applications:

- Fire fighting
- Broadcast spraying
- Wide area spraying
- Tank cleaning



Spray angle	Ordering no.			Orifice diam. (in.)	Flow Rate (Gallons Per Minute)									Spray Diameter D (ft.) @ 45 psi	
	Type	Material no.			10 psi	20 psi	liters per minute 2 bar	40 psi	60 psi	80 psi	100 psi	150 psi	Diagram		
		Connection: 1/2" Male BSPP	316 SS 17										Brass 30	H=40"	H=120"
180°	524. 809	○	○	.158	1.6	2.2	10	3.1	3.8	4.4	4.9	6.0	18	21	
	525. 049*	○	○	.315	6.2	8.8	40	12.4	15.2	17.6	19.6	24	33	43	
	525. 109*	-	○	.366	8.8	12.5	57	17.7	22	25	28	34	33	44	
	525. 169*	-	○	.429	12.6	17.8	81	25	31	36	40	49	35	44	
	525. 229	-	○	.481	17.4	25	112	35	43	49	55	67	22	34	
	525. 269	○	○	.485	22	31	140	43	53	61	69	84	17	33	

Example for ordering: Type **525. 049** + Material no. **30** = Ordering no. **525. 049. 30**

Full cone

