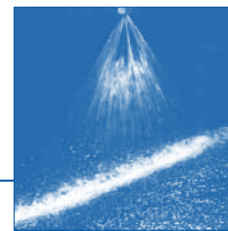




# Flat fan nozzle tips

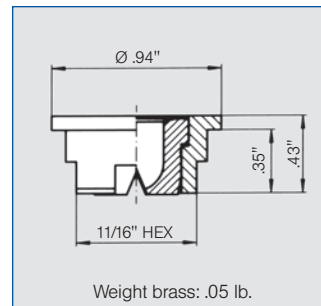
## Series 656 / 657



**Easy nozzle changing, simple jet alignment. Uniform, parabolic distribution of liquid. Increased non-clogging features, more jet power, less fog. Assembles with 3/4" retaining nut.**

**Applications:**

- Cleaning installations
- Gravel washing
- Cooling headers
- Spray pipes
- Roll cooling
- Cooling of rolled stock



Spray angle	Ordering no.				Equivalent Orifice diam. (in.)	Free passage (in.)	Flow Rate (Gallons Per Minute)							Spray Coverage @ 30 psi	
	Type	Material no.					10 psi	20 psi	liters per minute 2 bar	40 psi	60 psi	80 psi	100 psi	H=10"	H=20"
		303 SS 16	316 SS 17 <sup>1)</sup>	Brass 30											
20°	656. 721	○	○	○	.118	.099	.98	1.4	6.3	2.0	2.4	2.8	3.1	4	8
	656. 801	○	○	○	.158	.126	1.6	2.2	10.0	3.1	3.8	4.4	4.9	4	8
	656. 881	○	○	○	.197	.158	2.5	3.5	16.0	5.0	6.1	7.0	7.8	4	8
	656. 921	○	○	○	.217	.173	3.1	4.4	20	6.2	7.6	8.8	9.8	4	8
	656. 961	○	○	○	.236	.209	3.9	5.5	25	7.8	9.5	11.0	12.3	4	8
30°	656. 722	○	○	○	.118	.095	.98	1.4	6.3	2.0	2.4	2.8	3.1	6	11
	656. 762	○	○	○	.138	.106	1.2	1.8	8.0	2.5	3.0	3.5	3.9	6	11
	656. 802	○	○	○	.158	.122	1.6	2.2	10.0	3.1	3.8	4.4	4.9	6	11
	656. 882	○	○	○	.197	.158	2.5	3.5	16.0	5.0	6.1	7.0	7.8	6	11
	656. 922	○	○	○	.217	.173	3.1	4.4	20	6.2	7.6	8.8	9.8	6	11
	656. 962	○	-	○	.236	.197	3.9	5.5	25	7.8	9.5	11.0	12.3	6	11
45°	656. 723	○	○	○	.118	.095	.98	1.4	6.3	2.0	2.4	2.8	3.1	11	20
	656. 763	○	○	○	.138	.102	1.2	1.8	8.0	2.5	3.0	3.5	3.9	11	20
	656. 803	○	○	○	.158	.118	1.6	2.2	10.0	3.1	3.8	4.4	4.9	11	20
	656. 843	○	○	○	.177	.134	1.9	2.7	12.5	3.9	4.8	5.5	6.1	11	20
	656. 883	○	○	○	.197	.150	2.5	3.5	16.0	5.0	6.1	7.0	7.8	11	20
	656. 923	○	○	○	.217	.165	3.1	4.4	20	6.2	7.6	8.8	9.8	11	20
	656. 963	○	○	○	.236	.173	3.9	5.5	25	7.8	9.5	11.0	12.3	11	20
60°	656. 724	○	○	○	.118	.083	.98	1.4	6.3	2.0	2.4	2.8	3.1	13	23
	656. 764	○	○	○	.138	.091	1.2	1.8	8.0	2.5	3.0	3.5	3.9	13	23
	656. 804	○	○	○	.158	.102	1.6	2.2	10.0	3.1	3.8	4.4	4.9	13	23
	656. 844	○	○	○	.177	.118	1.9	2.7	12.5	3.9	4.8	5.5	6.1	13	23
	656. 884	○	○	○	.197	.134	2.5	3.5	16.0	5.0	6.1	7.0	7.8	13	23
	656. 924	○	○	○	.217	.162	3.1	4.4	20	6.2	7.6	8.8	9.8	13	23
	656. 964	○	○	○	.236	.165	3.9	5.5	25	7.8	9.5	11.0	12.3	13	23
	657. 044	-	○	○	.315	.217	6.2	8.8	40	12.4	15.2	17.6	19.6	13	23

**Example**    Type    +    Material no.    =    Ordering no.  
**for ordering:**    656. 721    +    16    =    656. 721. 16

Continued on next page.

1) We reserve the right to deliver material 316 SS or 316L SS, if we show the material code 17.

A listing of alternatives for various assembly possibilities is shown in the Accessories section beginning on page 123.

