

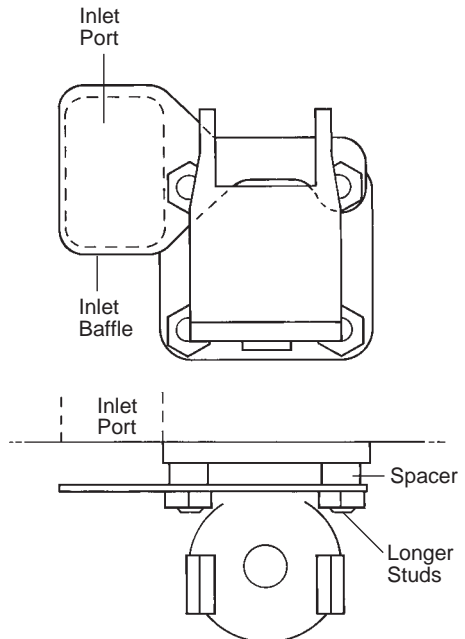
FT Mechanism Assembly 50mm Installation and Maintenance Instructions

In line with our policy of continuous product improvement, we have found it beneficial to add a baffle plate over the inlet port. This eliminates any risk of the flow from the inlet port affecting the correct operation of the float.

When fitting the mechanism please assemble as follows:-

- 1) Remove 2 uppermost studs and replace with longer studs provided.
- 2) Assemble mechanism over 4 studs.
- 3) Place spacer collars then baffle plate over longer studs so collars rest on back of square flange.
- 4) Replace nuts and tighten as normal.

The correct assembly and positioning is shown on sketch.



Baffle Arrangement used on 50 mm:-
FT 10, FT 46
FT 43, FT44 and FT 47 (horizontal only)

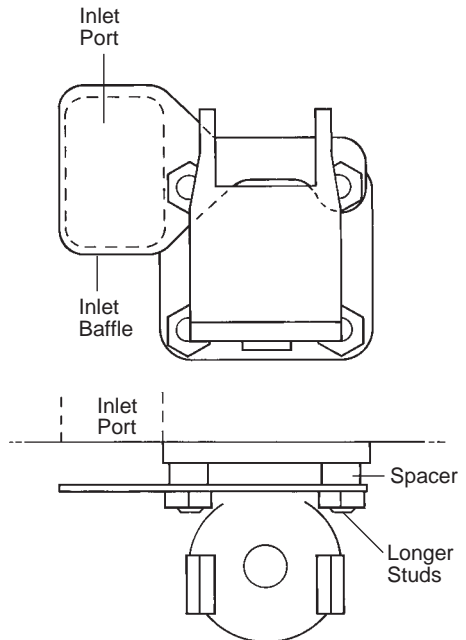
FT Mechanism Assembly 50mm Installation and Maintenance Instructions

In line with our policy of continuous product improvement, we have found it beneficial to add a baffle plate over the inlet port. This eliminates any risk of the flow from the inlet port affecting the correct operation of the float.

When fitting the mechanism please assemble as follows:-

- 1) Remove 2 uppermost studs and replace with longer studs provided.
- 2) Assemble mechanism over 4 studs.
- 3) Place spacer collars then baffle plate over longer studs so collars rest on back of square flange.
- 4) Replace nuts and tighten as normal.

The correct assembly and positioning is shown on sketch.



Baffle Arrangement used on 50 mm:-
FT 10, FT 46
FT 43, FT44 and FT 47 (horizontal only)