



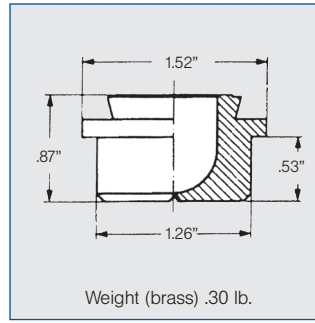
Flat fan nozzles Dovetail Series 669



Automatic, self-aligning dovetail connection. Very large flow rates. Automatic 15° offset angle built in. Parabolic liquid distribution, making it ideal for multi-nozzle headers.

Applications:

- Roll cooling
- Roughing mill
- Plate mill



Theoretical Spray Width
Actual width may vary.

Nozzle Angle	Width in inches (B) H=10" H=24"	
	20°	3.5
30°	5.4	12.8
45°	8.3	19.9
60°	11.5	27.7

Ordering no.				Material no.	Equivalent Orifice diam. (in.)	Flow Rate (Gallons Per Minute)									
Type						316 SS 17	Brass 30	10 psi	20 psi	liters per minute 2 bar	40 psi	60 psi	75 psi	100 psi	150 psi
Spray Angle															
20°	30°	45°	60°												
669. 041	669. 042	669. 043	669. 044	○	○	.21-.26	6.21	8.78	40.0	12.4	15.2	17.0	19.6	24.0	
669. 121	669. 122	669. 123	669. 124	○	○	.29-.33	9.77	13.8	63.0	19.5	23.9	26.8	30.9	37.9	
669. 201	669. 202	669. 203	669. 204	○	○	.37-.42	15.5	21.9	100.0	31.0	38.0	42.5	49.1	60.1	
669. 281	669. 282	669. 283	669. 284	○	○	.37-.51	27.9	39.5	180.0	55.9	68.4	76.5	88.3	108.2	

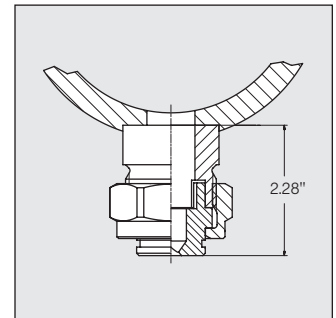
Example Type + Material no. = Ordering no.
for ordering: 669. 041 + 17 = 669. 041. 17

Accessories

Weight: .62 lb.
Nipple **066. 910. 17** (316 SS)
066. 410. 02 (Steel)

Weight: .45 lb.
Retaining nut **065. 900. 16** (303 SS)
065. 900. 17 (316 SS)
065. 900. 30 (Brass)

Other offset angles are available on request



Standard accessories, alignment, and installation for the Series 669 dovetail nozzle tip

