



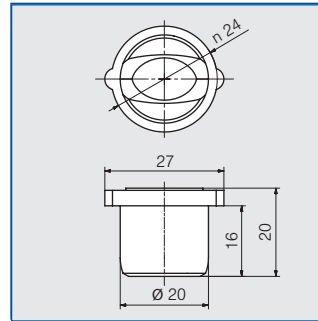
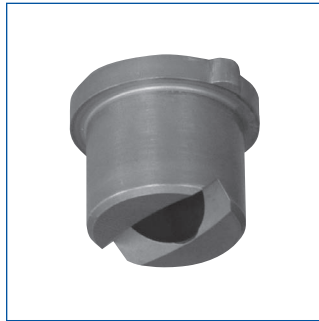
Flat fan nozzles

Series 6E



Automatic nozzle alignment. No welding nipple required; tip geometry machined directly into front plate of header. Reduced overall weight and outer dimensions of box type headers, reducing costs significantly.

Application:
• Roll cooling

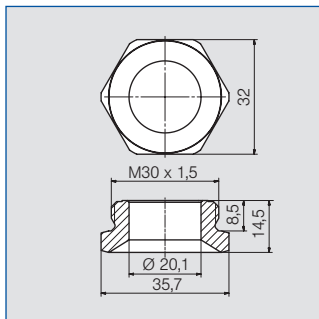


Spray Width (B) @ 45 psi

		H=10"	H=24"
6E4.721	6E4.921	3.9	7.9
6E4.941	6E5.201	4.5	8.3
6E4.722	6E4.962	5.9	11.8
6E4.982	6E5.202	6.3	12.2
6E4.723	6E4.963	8.7	17.3
6E4.983	6E5.203	9.9	19.3
6E4.724	6E4.964	13.0	24.8
6E4.984	6E5.204	13.4	25.2

Ordering no.				Material no.	Equivalent Orifice diam. (in.)	Flow Rate (Gallons Per Minute)									
Type						316 SS 17	Brass 30	10 psi	20 psi	liters per minute 2 bar	40 psi	60 psi	75 psi	100 psi	150 psi
Spray Angle															
20°	30°	45°	60°												
6E4. 721	6E4. 722	6E4. 723	6E4. 724	○	○	2.1-2.5	0.98	1.38	6.30	1.95	2.39	2.68	3.09	3.79	
6E4. 761	6E4. 762	6E4. 763	6E4. 764	○	○	2.3-2.8	1.24	1.76	8.00	2.48	3.04	3.40	3.92	4.81	
6E4. 801	6E4. 802	6E4. 803	6E4. 804	○	○	2.6-3.2	1.55	2.19	10.0	3.10	3.80	4.25	4.91	6.01	
6E4. 841	6E4. 842	6E4. 843	6E4. 844	○	○	3.0-3.6	1.94	2.74	12.5	3.88	4.75	5.31	6.13	7.51	
6E4. 881	6E4. 882	6E4. 883	6E4. 884	○	○	3.4-4.0	2.48	3.51	16.0	4.96	6.08	6.80	7.85	9.61	
6E4. 921	6E4. 922	6E4. 923	6E4. 924	○	○	4.1-4.4	3.10	4.39	20.0	6.21	7.60	8.50	9.81	12.0	
6E4. 941	6E4. 942	6E4. 943	6E4. 944	○	○	4.6-5.0	3.48	4.91	22.4	6.95	8.51	9.52	11.0	13.5	
6E4. 961	6E4. 962	6E4. 963	6E4. 964	○	○	4.2-5.3	3.88	5.49	25.0	7.76	9.50	10.6	12.3	15.0	
6E4. 981	6E4. 982	6E4. 983	6E4. 984	○	○	4.2-5.1	4.34	6.14	28.0	8.69	10.6	11.9	13.7	16.8	
6E4. 001	6E4. 002	6E4. 003	6E4. 004	○	○	4.8-5.6	4.89	6.91	31.5	9.77	12.0	13.4	15.5	18.9	
6E5. 011	6E5. 012	6E5. 013	6E5. 014	○	○	4.9-5.8	5.20	7.35	33.5	10.4	12.7	14.2	16.4	20.1	
6E5. 041	6E5. 042	6E5. 043	6E5. 044	○	○	5.5-6.6	6.21	8.78	40.0	12.4	15.2	17.0	19.6	24.0	
6E5. 061	6E5. 062	6E5. 063	6E5. 064	○	○	5.8-6.7	6.98	9.87	45.0	14.0	17.1	19.1	22.1	27.0	
6E5. 081	6E5. 082	6E5. 083	6E5. 084	○	○	6.6-7.4	7.76	11.0	50.0	15.5	19.0	21.2	24.5	30.0	
6E5. 121	6E5. 122	6E5. 123	6E5. 124	○	○	7.4-8.3	9.77	13.8	63.0	19.5	23.9	26.8	30.9	37.9	
6E5. 161	6E5. 162	6E5. 163	6E5. 164	○	○	8.3-8.4	12.4	17.6	80.0	24.8	30.4	34.0	39.2	48.1	
6E5. 181	6E5. 182	6E5. 183	6E5. 184	○	○	8.9-10.3	14.0	19.7	90.0	27.9	34.2	38.2	44.2	54.1	
6E5. 201	6E5. 202	6E5. 203	6E5. 204	○	○	9.6-10.5	15.5	21.9	100.0	31.0	38.0	42.5	49.1	60.1	

Example Type + Material no. = Ordering no.
for ordering: 6E4. 721 + 17 = 6E4. 721. 17



Hollow-core screw

Ordering-no.
06E. 400. 11 (AISI 430 F)
06E. 400. 17 (316 SS)
06E. 400. 30 (brass)

Material AISI 430 F:
Non austenitic stainless steel

