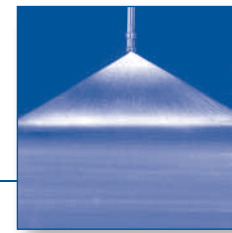




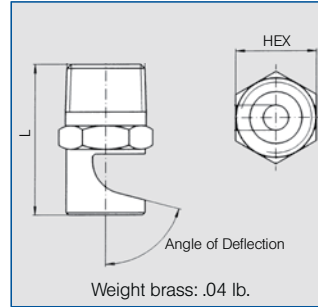
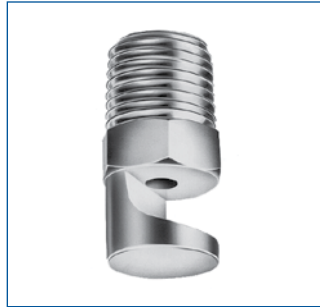
Flat fan nozzles Tongue-type deflector wide angle Series 686



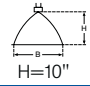
Deflector produces moderate impact with a very wide spray angle. Clog resistant. Even distribution.

Applications:

- Foam control for storage tanks, wastewater treatment plants
- Dust suppression
- Light washing
- Spray cooling
- Degreasing and phosphating



Dimensions (in.)			
Inlet (NPT)	L	HEX	Wt. (lb.)
1/8	.91	7/16	.03
1/4	1.10	9/16	.06
3/8	1.26	11/16	.09
1/2	1.58	7/8	.20

Spray angle	Deflector angle	Type	Ordering no.				Orifice diam. (in.)	Flow Rate (Gallons Per Minute)								Spray Width B (in.) @ 30 psi 			
			Material no.			Connection		10 psi	20 psi	liters per minute 2 bar	30 psi	40 psi	60 psi	80 psi	100 psi				
			316 SS 17	Brass 30	PVD 5E	Male NPT													
90°	53°	686.366	-	○	-	BA	-	-	-	.031	.10	.14	.63	.17	.20	.24	.28	.31	20
	75°	686.406	-	○	-	BA	-	-	-	.039	.16	.22	1.0	.27	.31	.38	.44	.49	21
	40°	686.686	-	○	-	-	BC	-	-	.094	.78	1.1	5.0	1.3	1.6	1.9	2.2	2.5	21
	40°	686.726	-	○	-	BA	-	-	-	.106	.98	1.4	6.3	1.7	2.0	2.4	2.8	3.1	21
	40°	686.806	-	○	-	-	BC	-	-	.133	1.6	2.2	10.0	2.7	3.1	3.8	4.4	4.9	21
	40°	686.886	○	-	-	-	BC	-	-	.165	2.5	3.5	16.0	4.3	5.0	6.1	7.0	7.8	21
140°	75°	686.926	○	-	-	-	-	BE	-	.185	3.1	4.4	20	5.4	6.2	7.6	8.8	9.8	21
		686.368	○	○	-	BA	-	-	-	.032	.10	.14	.63	.17	.20	.24	.28	.31	54
		686.408	○	○	-	BA	-	-	-	.039	.16	.22	1.0	.27	.31	.38	.44	.49	54
		686.448	○	○	-	BA	BC	-	-	.047	.19	.27	1.3	.35	.39	.48	.55	.61	54
		686.488	○	○	-	BA	BC	-	-	.051	.25	.35	1.6	.43	.50	.61	.70	.78	54
		686.528	○	○	-	BA	BC	-	-	.059	.31	.44	2.0	.54	.62	.76	.88	.98	54
		686.568	○	○	○	BA	BC*	-	-	.067	.39	.55	2.5	.67	.78	.95	1.1	1.2	54
		686.608	○	○	-	BA	BC	-	-	.075	.49	.69	3.2	.86	.98	1.2	1.4	1.5	54
		686.648	○	○	-	-	BC	-	-	.087	.62	.88	4.0	1.1	1.2	1.5	1.8	2.0	54
		686.688	○	○	-	BA	BC	-	-	.095	.78	1.1	5.0	1.4	1.6	1.9	2.2	2.5	54
		686.728	-	○	-	BA	BC	-	-	.106	.98	1.4	6.3	1.7	2.0	2.4	2.8	3.1	54
		686.768	○	○	-	BA*	BC	-	-	.118	1.2	1.8	8.0	2.2	2.5	3.0	3.5	3.9	54
		686.808	○	○	-	BA	BC	-	-	.134	1.6	2.2	10.0	2.7	3.1	3.8	4.4	4.9	54
		686.828	○	○	-	BA	BC	-	-	.142	1.7	2.5	11.2	3.0	3.5	4.3	4.9	5.5	54
		686.848	○	○	-	BA*	BC	-	-	.150	1.9	2.7	12.5	3.4	3.9	4.8	5.5	6.1	54
		686.868	○	○	-	-	BC	-	-	.158	2.2	3.1	14.0	3.8	4.3	5.3	6.1	6.9	54
		686.888	○	○	-	-	BC	-	-	.165	2.5	3.5	16.0	4.3	5.0	6.1	7.0	7.8	54
		686.908	○	○	-	-	BC	-	-	.177	2.8	3.9	18.0	4.8	5.6	6.8	7.9	8.8	54
686.928	○	-	-	-	-	BE	-	.185	3.1	4.4	20	5.4	6.2	7.6	8.8	9.8	54		
686.968	○	○	-	-	-	BE	BG	.209	3.9	5.5	25	6.7	7.8	9.5	11.0	12.3	54		
686.988	○	○	-	-	-	BE	BG	.221	4.3	6.1	28	7.5	8.7	10.6	12.3	13.7	54		

* Only available in 316 SS (material no. 17)

Example	Type	+	Material no.	+	Conn.	=	Ordering no.
for ordering:	686.908	+	17	+	BC	=	686.908.17.BC

A listing of alternatives for various assembly possibilities is shown in the Accessories section beginning on page 129.

