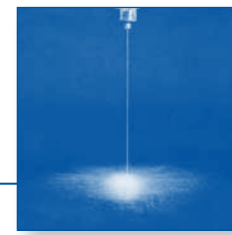




Solid stream nozzles High pressure Series 546 / 548 / 550



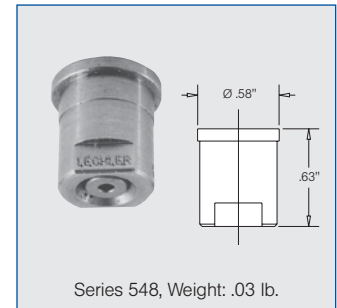
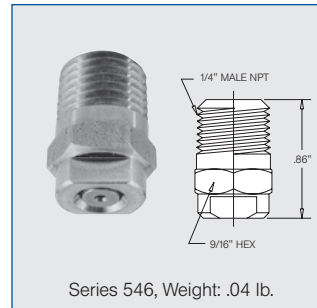
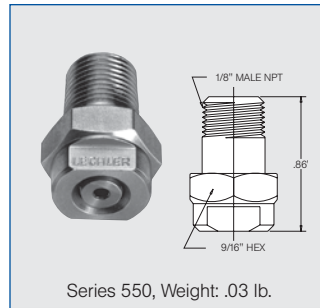
Exceptionally tight solid stream nozzles for pressures up to 4500 psi. Available in 1/8" NPT or BSPT, 1/4" NPT or BSPT, or tip version.

Applications:

- High pressure cleaning
- Trimming
- Jet cutting

Materials:

Nozzle body: 303 SS
Insert: Hardened stainless steel



Nozzle Code			Flow Rate Code	Orifice diam. (in.)	Flow Rate (Gallons Per Minute)								
1/8" Male NPT or BSPT	1/4" Male NPT or BSPT	Tip			300 psi	450 psi	725 psi	1000 psi	liters per minute 100 bar	1500 psi	2000 psi	3000 psi	4500 psi
550	546	548	360	.033	.54	.67	.84	.99	4.5	1.2	1.4	1.7	2.1
550	546	548	400	.041	.82	1.0	1.3	1.5	6.8	1.8	2.1	2.6	3.2
550	546	548	410	.042	.90	1.1	1.4	1.6	7.5	2.0	2.3	2.8	3.5
550	546	548	420	.044	.96	1.2	1.5	1.8	8.0	2.1	2.5	3.0	3.7
550	546	548	450	.047	1.1	1.3	1.7	2.0	9.2	2.5	2.8	3.5	4.3
550	546	548	470	.050	1.2	1.5	1.9	2.3	10.3	2.8	3.2	3.9	4.8
550	546	548	480	.052	1.4	1.7	2.2	2.5	11.5	3.1	3.6	4.4	5.4
550	546	548	500	.055	1.5	1.9	2.4	2.8	12.6	3.4	3.9	4.8	5.9
550	546	548	520	.058	1.7	2.0	2.6	3.0	13.8	3.7	4.3	5.2	6.4
550	546	548	570	.067	2.2	2.7	3.4	4.0	18.2	4.9	5.6	6.9	8.4
550	546	548	600	.074	2.7	3.3	4.2	5.0	23	6.1	7.0	8.6	10.5
550	546	548	670	.091	4.1	5.0	6.4	7.5	34	9.2	10.6	13.0	15.9
550	546	548	720	.105	5.5	6.7	8.5	10.0	46	12.3	14.2	17.3	21

Connection Code	Connection	Maximum pressure
A3. 00	Male BSPT	Approx. 5000 psi
A3. 07	Male NPT	Approx. 5000 psi
A3. 29	Retainer cap	Approx. 3000 psi

Example Nozzle code + Flow rate code + Connection code = Ordering no.
for ordering: 550. + 360. + A3. 07 = 550. 360. A3. 07
(see bolded column headings above) (.99 gpm & 0° spray angle @ 1000 psi; 1/8" Male NPT)