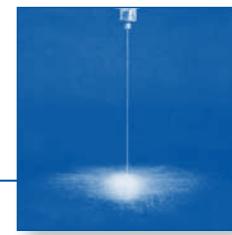




## Solid stream nozzles Trimming Series 599



**Second only to a diamond in wear resistance, the ruby orifice offers amazing precision, performance consistency and long operational-life.**

**Applications:**

- Paper production
- Trimming
- High pressure cleaning
- Jet cuttings

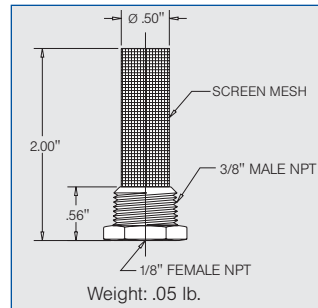
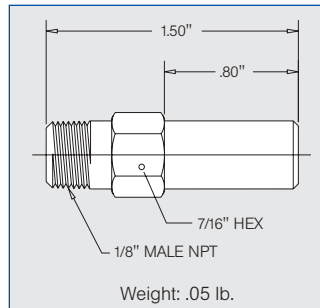
If you're tired of poor trims, replacing worn nozzles, and sheet breaks, it's time to move up to Lechler's ruby orifice trimming nozzles. It's another step in Lechler's 130 year tradition of innovation and technological development.

**Materials:**

Nozzle body: Brass housing  
Orifice: Ruby  
Strainer: 316 SS



*The ruby orifice produces a tightly collimated solid stream for precise, predictable cutting action. The optional strainer offers a convenient way to protect against clogging caused by stray fibers or loose bits of debris in your liquid supply.*



*The ruby orifice is permanently mounted in a brass housing. The optional strainer is 316 stainless steel.*

Ordering no.	Orifice diam. (in.)	Flow Rate (Gallons Per Minute)							
		100 psi	200 psi	300 psi	400 psi	500 psi	600 psi	800 psi	1000 psi
<b>599. 128. 8.J. BA. 15</b>	.015	.05	.07	.09	.10	.11	.12	.14	.16
<b>599. 128. 8.J. BA. 20</b>	.020	.09	.13	.16	.18	.20	.22	.25	.28
<b>599. 128. 8.J. BA. 25</b>	.025	.14	.20	.24	.28	.31	.34	.40	.44
<b>599. 128. 8.J. BA. 30</b>	.030	.20	.28	.35	.40	.45	.49	.57	.63
<b>599. 128. 8.J. BA. 35</b>	.035	.28	.40	.48	.56	.63	.69	.79	.89
<b>599. 128. 8.J. BA. 40</b>	.040	.36	.51	.62	.72	.80	.88	1.02	1.14
<b>599. 128. 8.J. BA. 45</b>	.045	.45	.64	.78	.90	1.01	1.10	1.27	1.42
<b>599. 128. 8.J. BA. 50</b>	.050	.55	.78	.95	1.10	1.23	1.35	1.56	1.74



Ordering no.	Mesh size
Screen	
<b>099. 104. 17. BE. 05</b>	50
<b>099. 104. 17. BE. 10</b>	100
<b>099. 104. 17. BE. 20</b>	200