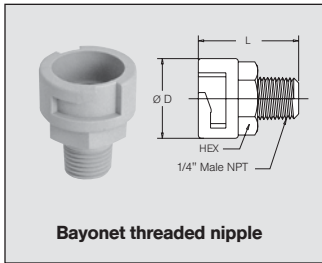


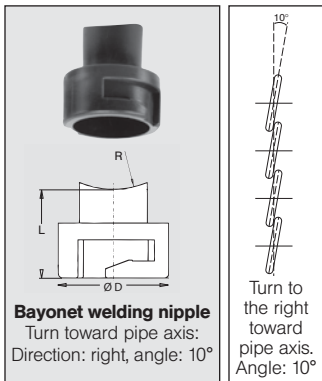


Assembly accessories for nozzle tips or nozzles with female threads Bayonet quick release system

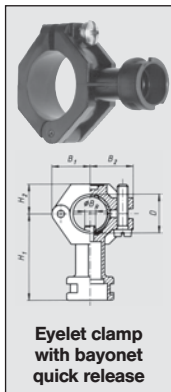
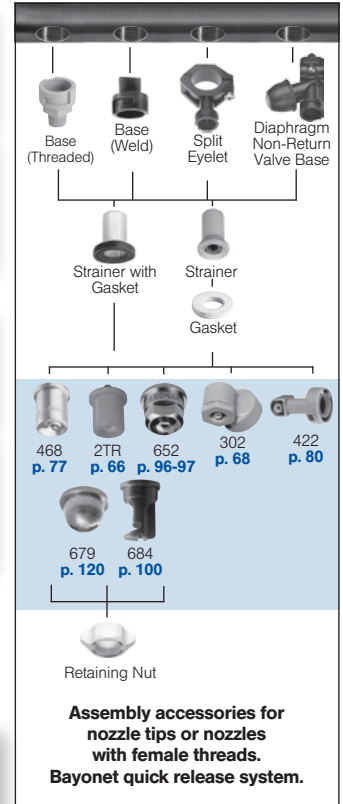
Bayonet bases (split eyelets, diaphragm non-return valve, threaded nipple, and welding nipple)



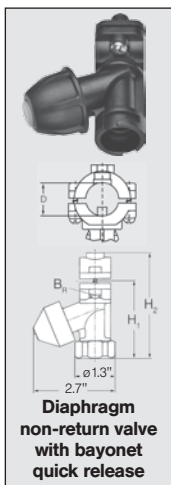
For series	Ordering no.	Material	Conn.	Dimensions (in.)			Weight (lb.)
				L	D	HEX	
302 bay, 422 bay, 2TR 468 652 679 684	090. 075. 53. 00	PP	1/4" Male NPT	1.29	1.02	13/16	.01



For series	Ordering no.	Material	Dimensions (in.)			Weight (lb.)
			L	R	D	
302 bay, 422 bay, 2TR 468 652 679 684	095. 016. 53. 08. 05	PVC	.98	.63	1.02	.01
	095. 016. 50. 08. 05	PP	.98	.63	1.02	.01



For series	Ordering no.				Screw (Material)	Pipe ø	Drill hole diameter	Opening pressure (psi)	Closing pressure (psi)	Dimensions (in.)							Weight (lb.)	
	Type	Material no.								Conn.	H ₁	H ₂	ø B _R	B ₁	B ₂	B ₃		
		51	53	5E														56
302 bay, 422 bay, 2TR 468 652 679 684	090. 003	○	○	○	-	KA	303 SS	1/2"	9/32"	-	-	1.95	.65	.25	.84	.94	.73	.05
	090. 013	○	○	○	-	KA	303 SS	3/4"	5/16"	-	-	2.07	.69	.31	.97	1.04	.87	.06
	090. 023	○	○	○	-	KA	303 SS	1"	7/16"	-	-	2.25	.83	.43	1.18	1.22	.87	.07



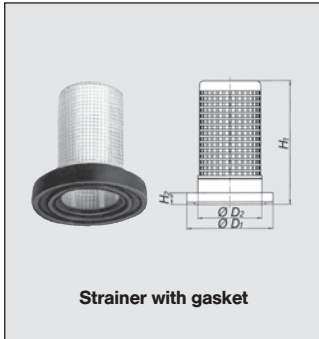
302 bay, 422 bay, 2TR 468 652 679 684	065. 272	-	-	-	○	KH	303 SS	1/2"	1/4"	12	9	2.32	3.31	.24				.11
	065. 272	-	-	-	○	KL	303 SS	3/4"	25/64"	12	9	2.60	3.55	.38				.12

Example for ordering: Type + Material no. + Conn. = Ordering no.
090. 003 + 51 + KA = 090. 003. 51. KA



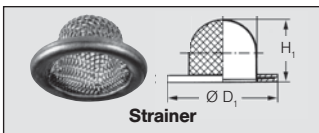
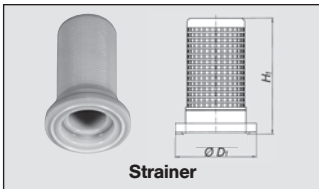
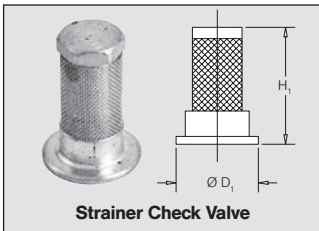
Assembly accessories for nozzle tips or nozzles with female threads Bayonet quick release system

Strainers



For nozzle size	Ordering no.	Material	Strainer mesh	Color	Dimensions (in.)				Weight (lb.)
					H ₁	H ₂	D ₁	D ₂	
xxx.32x-xxx.44x	065. 268. 7J	Santoprene	50	Blue	.85	.10	.71	.44	.004
xxx.48x-xxx.56x	065. 269. 7J	Santoprene	25	Red	.85	.10	.71	.44	.004

Strainers



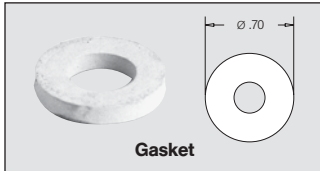
Valve option	Ordering no.				Color	Opening pressure (psi)	Dimensions (in.)				Weight (Brass) lb.
	Type	Material no.					Mesh size	Mesh opening	H ₁	D ₁	
		26 Monel	30 Brass	56 POM							
With check valve	065. 265	-	-	○	Blue	8	50	.011	.81	.58	.004
	065. 266	-	-	○	Yellow	8	24	.026	.81	.58	.004
No check valve	065. 257	-	-	○	Blue	-	50	.011	.81	.58	.004
	065. 256	-	-	○	Red	-	24	.026	.81	.58	.004
No check valve	065. 252	○	-	-	-	-	80	.007	.31	.58	.004

Example Type + Material no. = Ordering no.
for ordering: 065. 260 + 30 = 065. 260. 30



Assembly accessories for nozzle tips or nozzles with female threads Bayonet quick release system

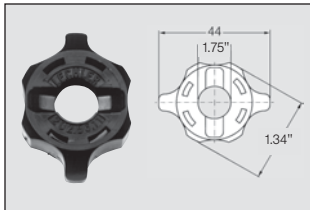
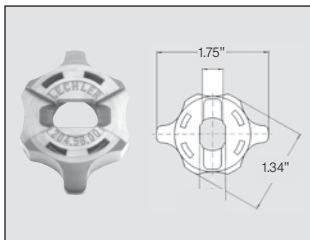
Gaskets



Ordering no.		Description	Weight (oz.)
Type	Mat. no.		
	Rubber 73	Santoprene Replacement gasket for use with strainer	.016
	Santoprene 7J		
	095. 015. 7J. 01. 65		
	065. 242. 73. 00. 00	Rubber Replacement gasket	.016

Bayonet quick release retainer caps

incl. gasket 065.242.73 (rubber)



For series	Ordering no.	Material	Color	Weight (oz.)
652 679	065. 202. 56. 00	POM	Red	.016
	065. 202. 53. 00	PP	Gray	.016
	065. 202. 5E. 00*	PVDF	Blue	.016
2TR 468 652 684	065. 202. 56. 11	POM	Black	.016
	065. 202. 53. 11	PP	Gray	.016

* does not work with 090.075.53.00.0 base,
incl. gasket 065.242.7A (viton)