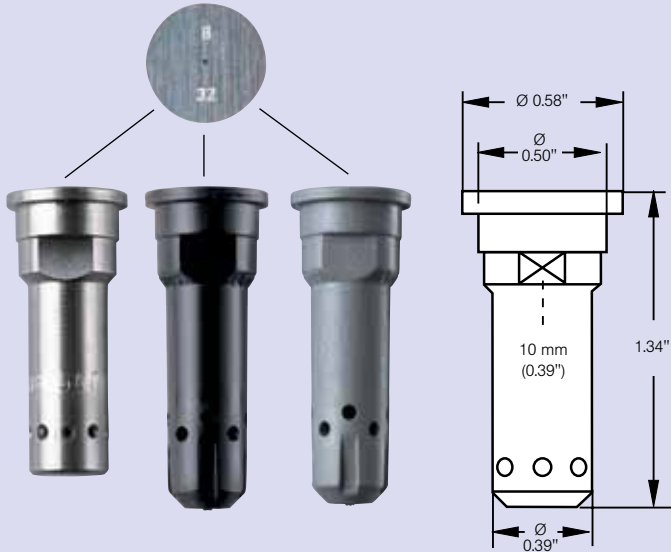


FL liquid fertilizer nozzles

Spray angle: 130°
Material: POM, Stainless Steel



Features

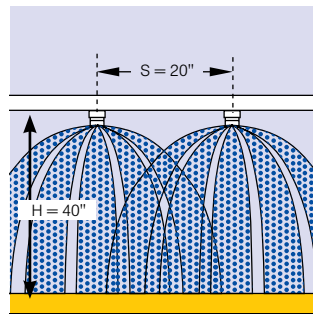
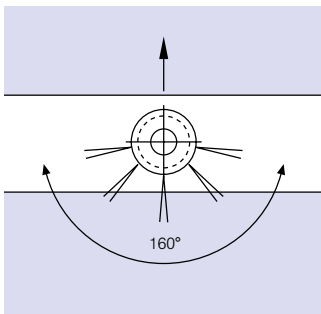
- 5 outlet style nozzle
- **Very low drift potential**
- Best performance range 15-75 psi
- Uniform distribution, extremely coarse droplet size
- Fits 10 mm cap, part number Y8253049 series

Range of application

Ideal for liquid fertilizer applications

Nozzle Selection Table For FL Nozzles		
Part	Description	Part Number
Body	Stainless steel	500.179.16.00.00
	Black polymer for .8, 1.0, and 1.2 mm dosing orifices	500.179.56.00.00
	Gray polymer for 1.2, 1.5, and 1.8 mm dosing orifices	500.179.56.01.00
Dosing orifice, stainless steel / *	Flow rate gpm @ 40 psi	
.8 mm/32	0.13	050.030.1C.00.00
1.0 mm/39	0.20	050.030.1C.01.00
1.2 mm/48	0.29	050.030.1C.03.00
1.5 mm/59	0.40	050.030.1C.02.00
1.8 mm/72	0.52	050.030.1C.04.00

* Number after / represents English unit equivalent to given metric size (in # of thousandths of an inch)



Ordering

When ordering, please include both order numbers, that of the nozzle and that of the dosing orifice. (e.g. 500.179.16.00.00/050.030.1C.00.00 For SS body and .8mm dosing orifice)

Recommendation

Please use gray nozzles (order no. 500.179.56.01) for combination with large dosing orifices (1.2, 1.5 and 1.8 mm)