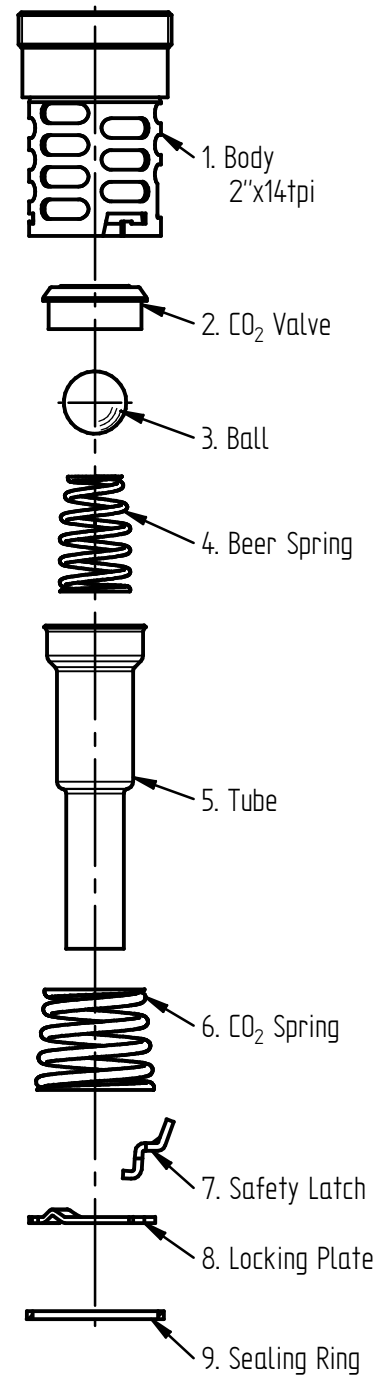
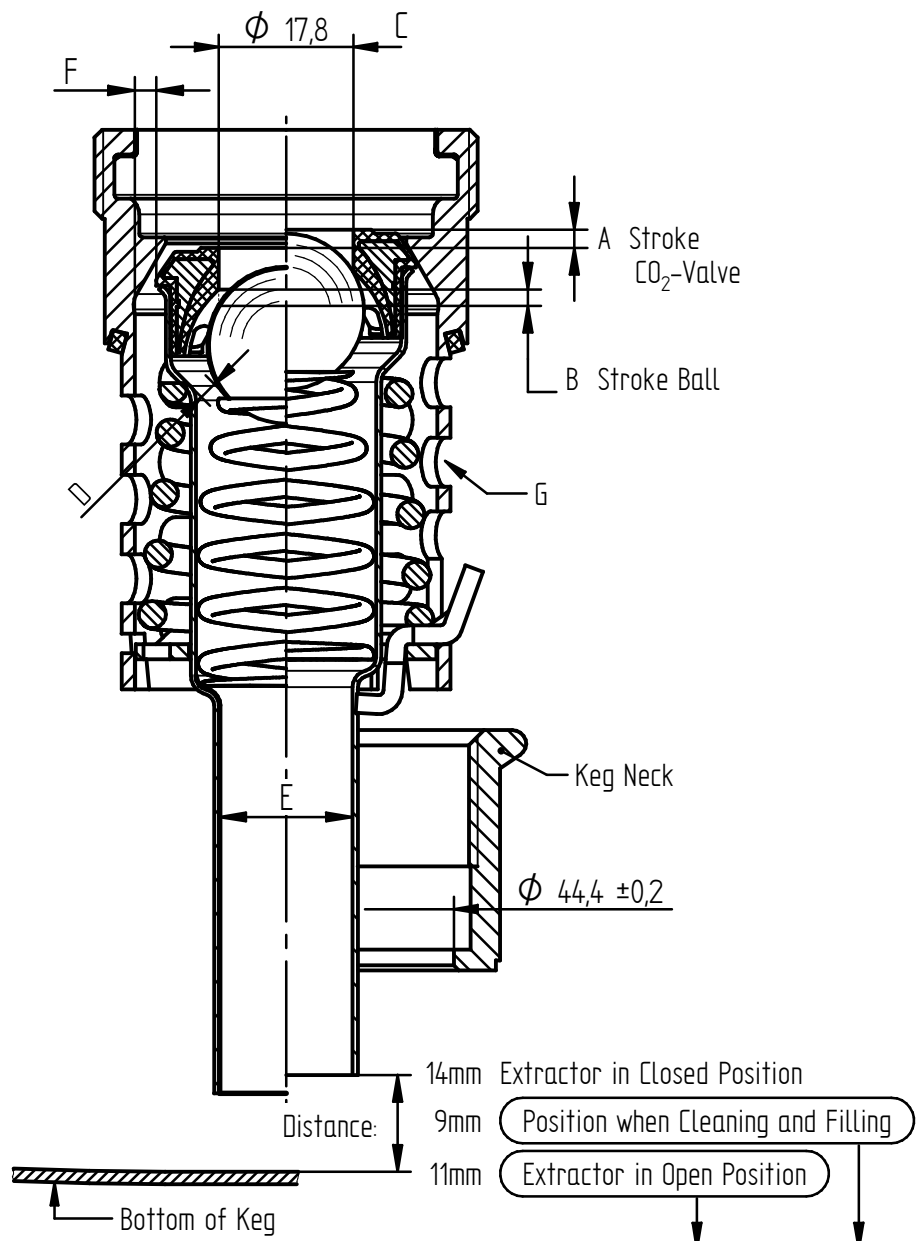


This drawing is the property of Dispense Systems International. If in doubt, please ask. Samples are required after each revision.



| | | | | | | |
|-----|-----------------------------|------------------------------|--------------------|---|-----|---------------------|
| I | Stroke | CO ₂ Valve + Tube | Parts 2+5 - Part 1 | A | 3mm | max. 4mm-6mm |
| | | Ball | Part 3 - Part 2 | B | 4mm | 6,5mm-8mm |
| II | Passages through Inner Tube | In Part 2 $\varnothing 17,8$ | | C | | 250mm ² |
| | | Part 3 - Part 5 | | D | | 220mm ² |
| | | In Part 5 $\varnothing 17,6$ | | E | | 240mm ² |
| III | Passages through Outer Tube | Part 1 - Part 2 | | F | | 330mm ² |
| | | Part 1 | | G | | 2340mm ² |
| IV | Temperature Resistance | Short-time 160°C | | | | |

| | | | | | | | |
|-------------|--|------------|------------|--------------|----------|-------------------------------|----------|
| PRODUCT | | REMARKS | | ROUGHNESS | SCALE | WEIGHT VOLUME | |
| | | | | | MATERIAL | | |
| | | DATE | NAME | | TITLE | | |
| | | DRAWN | 22.02.2013 | kunze | | Technical Data Sheet ET-WD SI | |
| | | APPR. | | | | | |
| | | NORM | | | | | |
| | | PROD. DEV. | | DE | | | |
| | | | | PROJ. METHOD | FORMAT | DRAWING NUMBER | SHEET |
| | | | | REPL. | | A4 | D-910432 |
| ALTERATIONS | | DATE | NAME | ORIGIN | REPL. BY | | 2 SHTS. |