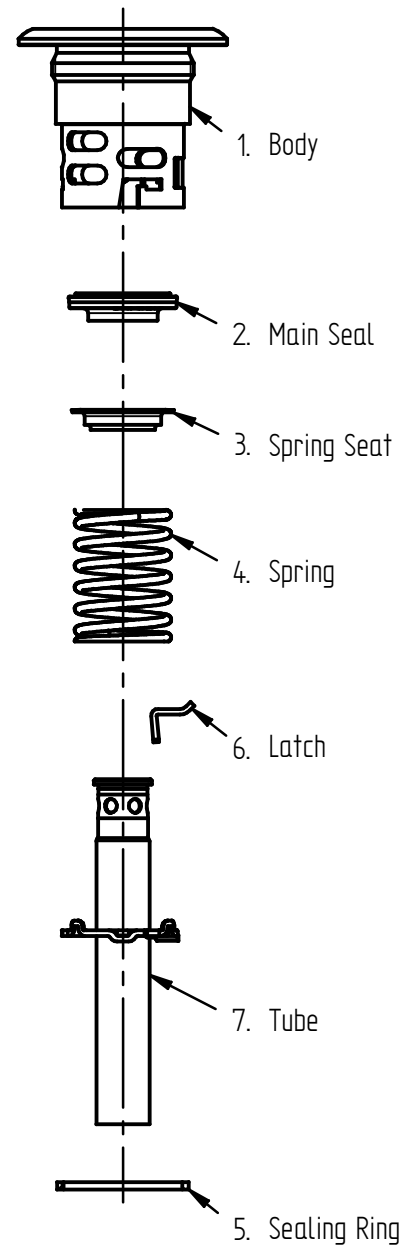
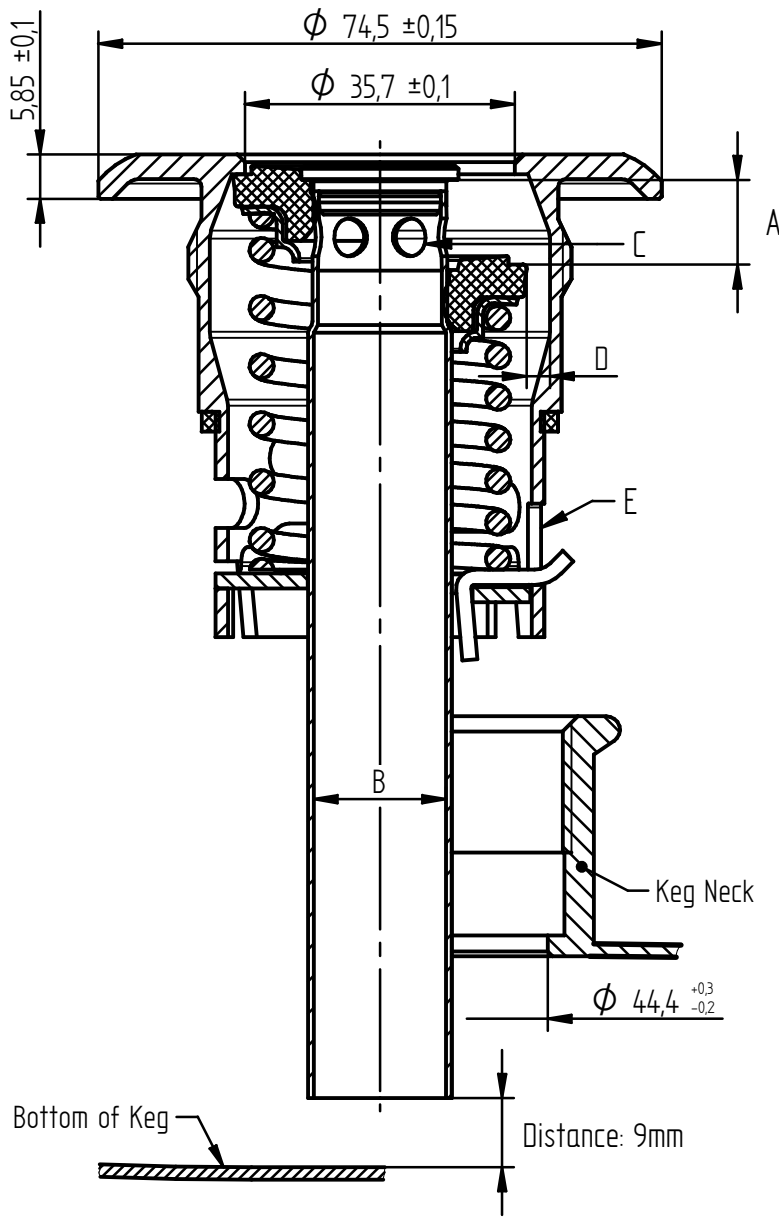


This drawing is the property of Dispense Systems International. The information is confidential and should not be copied for any other purpose without the prior written permission of DSI Getränkearmaturen GmbH. If in doubt, please ask. Samples are required after each revision.



I	Stroke Main Seal Part 2 - Part 1	A	9-12mm
II	Passage through Inner Tube Part 7 Ø17,6	B	240mm <sup>2</sup>
	6 Holes in Part 7	C	120mm <sup>2</sup>
III	Passage through Outer Tube Part 1 - Part 2	D	470mm <sup>2</sup>
	Passages in Part 1	E	980mm <sup>2</sup>
IV	Temperature Resistance	Short-time 160°C	



PRODUCT		REMARKS		ROUGHNESS	SCALE	WEIGHT VOLUME	
					MATERIAL		
			DATE	NAME	TITLE		
			26.06.2003	AH	Technical Data Sheet ET-AC S		
			APPR.				
			NORM				
			PROD. DEV.	DE			
				PROJ. METHOD	FORMAT	DRAWING NUMBER	SHEET
				REPL.	REPL. BY		
A	160°C was 135°C	18.03.2013	Kunze			D-184934	2 SHTS.
Δ	ALTERATIONS	DATE	NAME	ORIGIN			