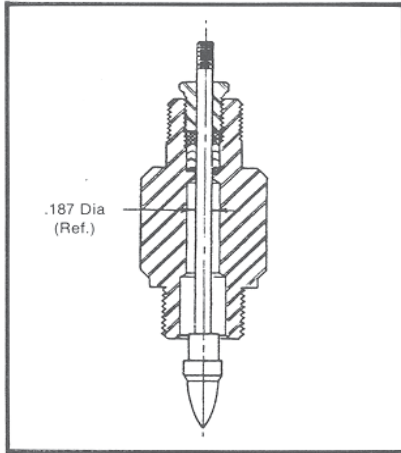


Control Valves

TB-887 Innervalue Guiding Styles

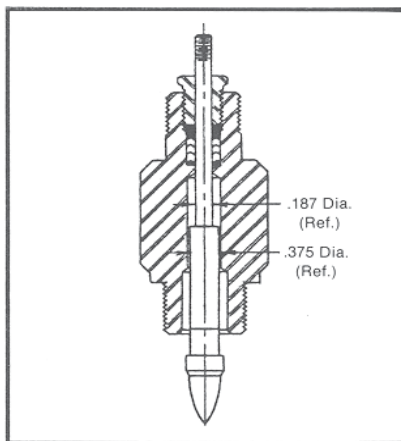


STANDARD TOP-GUIDED TRIM

The top-guided trim is the standard for most 1/4" and 1/2" Research Control Valves. The stem diameter for 1/4" valves with this trim style is 1/8".

Trim sizes F through J have two-piece plug/stem assemblies. Trim sizes K through P-18 are machined integrally onto the stem. Sizes A through E have two-piece plug/stem assemblies. Trim sizes F through O are normally machined integrally onto the stem. The only exception is for a stellite plug. In that case, the stem may be either machined integrally or screwed to the stem.

For maximum allowable pressure drops, refer to the RCV Selection Guide or consult the factory.

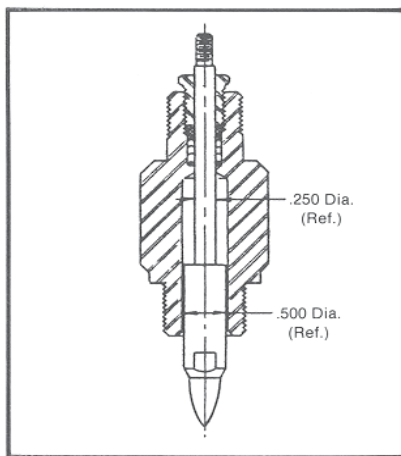


MEDIUM-GUIDED TRIM

The medium-guided trim is the standard for most 3/4" and 1" Research Control Valves and optional on some 1/4" and 1/2" models. The stem diameter through the packing is the same as the top-guided 1/4" and 1/2" trims. The stem diameter on 3/4" and 1" valves is 3/16"—the same as for the 1/2" valve.

This trim should be used when the pressure drop exceeds the limit of the top-guided trim, especially 1/2" trims A through E.

In the 1/2" valve, this trim is interchangeable with the standard top-guided trim.



HEAVY-DUTY GUIDED TRIM

The heavy-duty guided trim is optional in the 1/2" Research Control Valve. The stem diameter on trims of this type is 1/4". Refer to the RCV Selection Guide for instances when this type trim guide should be used, such as for high pressure drops, especially trims A through E.

NOTE: This trim style is NOT interchangeable with either the top- or medium-guided trim. Retrofittings of this style trim require the changing of the bonnet assembly, due to the stem diameter difference.

Control. Manage. Optimize.

Research Control is a registered trademark of Badger Meter, Inc. Other trademarks appearing in this document are the property of their respective entities. Due to continuous research, product improvements and enhancements, Badger Meter reserves the right to change product or system specifications without notice, except to the extent an outstanding contractual obligation exists. © 2014 Badger Meter, Inc. All rights reserved.

www.badgermeter.com

The Americas | Badger Meter | 4545 West Brown Deer Rd | PO Box 245036 | Milwaukee, WI 53224-9536 | 800-876-3837 | 414-355-0400
México | Badger Meter de las Americas, S.A. de C.V. | Pedro Luis Ogazón N°32 | Esq. Angelina N°24 | Colonia Guadalupe Inn | CP 01050 | México, DF | México | +52-55-5662-0882
Europe, Middle East and Africa | Badger Meter Europa GmbH | Nurtinger Str 76 | 72639 Neuffen | Germany | +49-7025-9208-0
Europe, Middle East Branch Office | Badger Meter Europe | PO Box 341442 | Dubai Silicon Oasis, Head Quarter Building, Wing C, Office #C209 | Dubai / UAE | +971-4-371 2503
Czech Republic | Badger Meter Czech Republic s.r.o. | Mařikova 2082/26 | 621 00 Brno, Czech Republic | +420-5-41420411
Slovakia | Badger Meter Slovakia s.r.o. | Racianska 109/B | 831 02 Bratislava, Slovakia | +421-2-44 63 83 01
Asia Pacific | Badger Meter | 80 Marine Parade Rd | 21-06 Parkway Parade | Singapore 449269 | +65-63464836
China | Badger Meter | 7-1202 | 99 Hangzhong Road | Minhang District | Shanghai | China 201101 | +86-21-5763 5412