

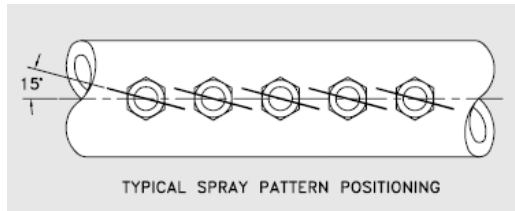
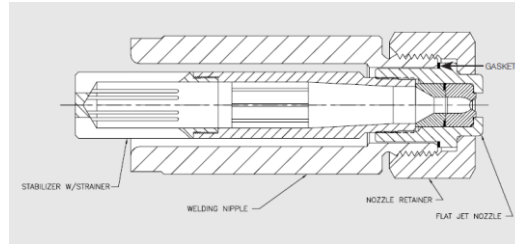
MiniSCALEMASTER® Descaling Nozzles

Series 644

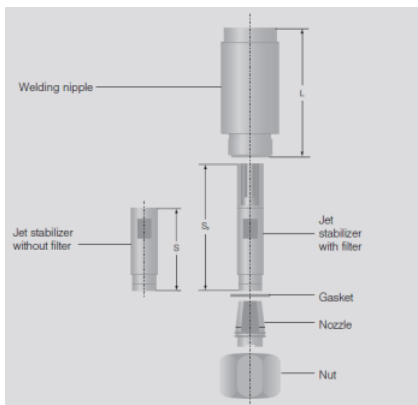
When improved casting processes demanded a new descaling approach, Lechler answered with the MiniSCALEMASTER®. This nozzle platform provides efficient, effective descaling, even on difficult materials.

The MiniSCALEMASTER® packs the power of the standard design into a very compact package. This permits nozzle spacing of less than 2" with standoff distances as low as 3" from the surface. The result is an exceptionally clean strip with very low water consumption and minimal cooling of the product.

While impact characteristics are identical to the standard SCALEMASTER®, the smaller bases and caps allow for smaller headers that can fit into tighter installations with no sacrifice of performance. The complete range of capacities is available, using the same orifice geometry of the larger models.



Ordering Number	Flow Rate				Mat No.		Minimum Free Passage (in.)	Flow Rate (Gallons Per Minute)							
	22°	26°	30°	40°	11 Hardened Stainless Steel	27 Tungsten Carbide		700 psi	1000 psi	1500 psi	litres per minute @ 120 bar	2000 psi	2500 psi	3000 psi	3500 psi
644	495	496	497	498	✓	✓	0.042	2.2	2.6	3.0	13.2	3.7	4.2	4.6	5.0
644	535	536	537	538	✓	✓	0.043	2.8	3.3	4.0	16.4	4.7	5.2	5.7	6.2
644	565	566	567	568	✓	✓	0.047	3.3	3.9	4.8	19.7	5.6	6.2	6.8	7.4
644	605	606	607	608	✓	✓	0.059	4.2	5.1	6.2	25.3	7.1	8.0	8.8	9.4
644	645	646	647	648	✓	✓	0.063	5.1	6.1	7.0	30.7	8.7	9.7	10.6	11.5
644	685	686	687	688	✓	✓	0.071	6.6	7.9	9.7	39.4	11.2	12.5	13.7	14.8
644	725	726	727	728	✓	✓	0.075	8.3	9.9	12.1	49.3	14.0	15.6	17.1	18.5
644	765	766	767	768	✓	✓	0.091	10.6	12.7	15.6	63.5	18.0	20.1	22.0	23.8
644	805	806	807	808	✓	✓	0.106	13.0	15.8	19.3	78.8	22.3	24.9	27.3	29.5
644	845	846	847	848	✓	✓	0.118	16.3	19.5	23.9	97.5	27.6	30.9	33.8	36.5
644	885	886	887	888	✓	✓	0.134	20.6	24.6	30.1	122.0	34.7	38.8	42.6	46.0
644	905	906	907	908	✓	✓	0.145	22.9	27.4	33.6	136.0	38.8	43.3	47.5	41.3
644	915	916	917	918	✓	✓	0.149	24.6	29.4	36.0	146.0	41.6	46.5	50.9	55.0



Component	Ordering No.	Weight (kg.)
Welding nipple Material: AISI 304	Length: L=32mm	060.020.1C.01
	L=39mm	060.020.1C.00
	L=80mm	060.020.1C.02
Jet stabilizer Material: Brass	without filter S= 74	064.431.16
	with filter S=110	064.454.16
	with filter S=130	064.455.16
Gasket Material: Copper	095.015.34.02.07	0.001
Nut (Standard) Material: AISI 431	Hex32	064.400.11
Alignment tip/Blank tip Material: Mild steel	Data sheet on request	064.490.01
Disassembly tool Material: Mild steel	Data sheet on request	064.491.01
Tip extractor	Data sheet on request	095.009.00.12.70.0