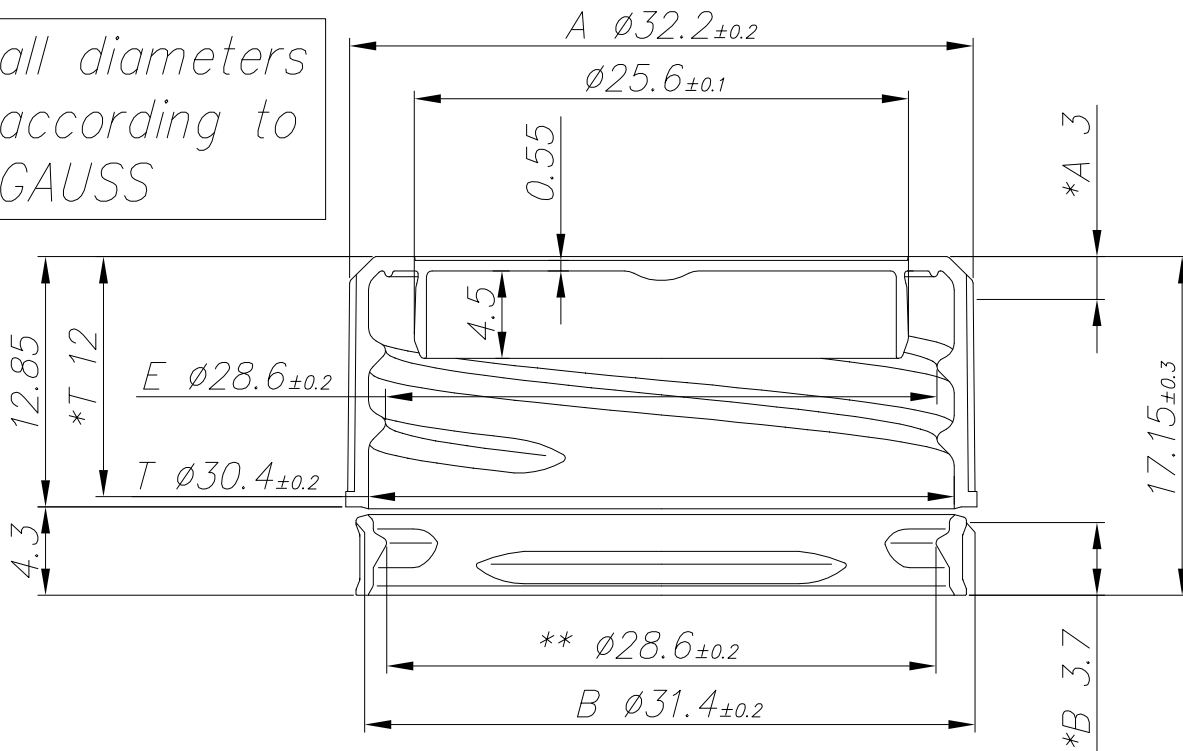
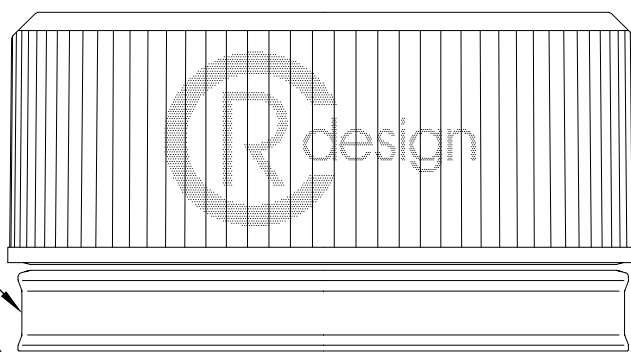


all diameters according to GAUSS

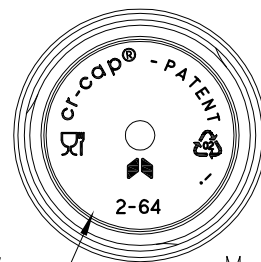
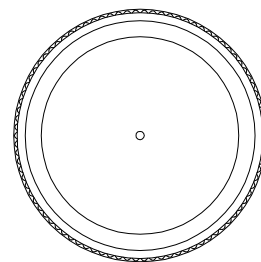
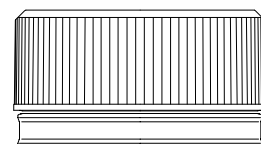
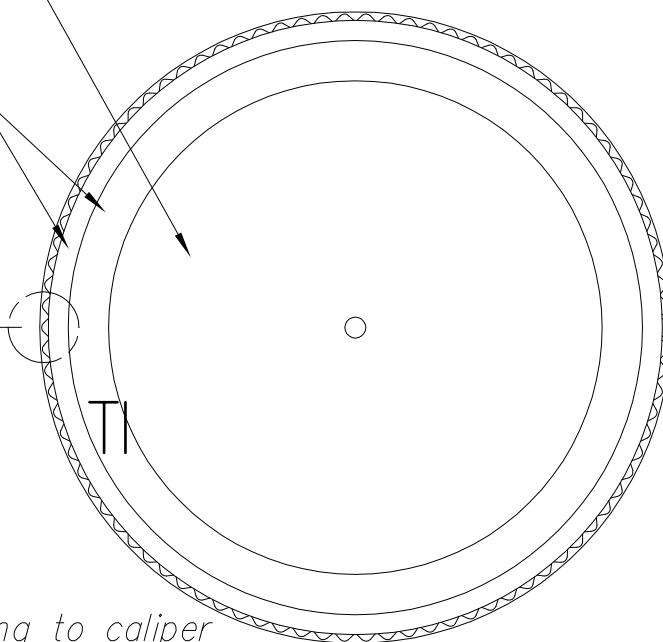
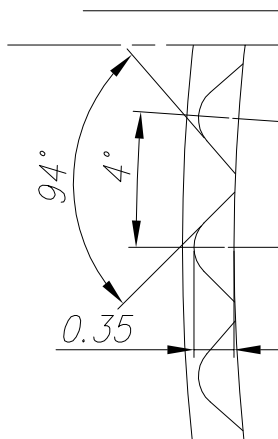


surfaces spark eroded
Ra 2.8 μ

outer surface and chamfer spark eroded
Ra 2.8 μ



2.05g ± 0.05 g
(based on density 0.951)
(inside same mould 50% narrower)



M 1:1

** diameter according to caliper
* height indicates level of measure

engraving inside cap completely 0.05mm deep

Please note:

- Tolerance range covers extremes of different colours, and will be up to 50% narrower for each single colour.
- When using unsuitable colourants, tolerances may also be exceeded. Closures out of tolerance may still be used but need a separate approval.

Für diese, in unserem Eigentum verbleibende, technische Unterlage behalten wir uns alle Rechte vor. Vervielfältigen oder Überlassung an Dritte bedarf unserer schriftlichen Genehmigung.

This drawing is our intellectual property and will be personally entrusted to the recipient. Without having our written authorization it must neither be duplicated nor being announced or made available to a third party.

cr-cap
for 30mm neck finish

Masstab	Gezeichnet	06.03.06	LuT
	Gepüft	06.03.06	LuT
	Ablage	L:\-	

corvaglia kaltenbach switzerland



30_25_18_3
Light