

NEW

Direct drive pumps

A compact centrifugal pump with canned motor further covers a higher flow rate.



RD-40 (High head type)

Max. discharge capacity: 25 L/min
Max. head: 15 m

RD-40X (High flow type)

Max. discharge capacity: 70 L/min
Max. head: 8 m

Our RD series design features small canned motor centrifugal pumps powered by brushless DC motors. They are designed to be cool, quiet, compact and lightweight. A variety of features, including a seal-less design to prevent leakage, enables the pumps to meet a full spectrum of user needs, with emphasis on ease of installation, operation and maintenance. The high head type and the high flow type are new additions to the range. Choose the most suitable model from a wide selection.

Compact and lightweight with a seal-less structure

The pumps with a canned motor offer compactness and light weight. Compared with conventional magnetic drive pumps, they require minimal space for installation. Select the best connection for your plumbing system from tube, R pipe and NPT pipe. Seal-less structure eliminates wear leakage and other problems involved with seal replacement.

Long life design

Use of a DC brushless motor eliminates concerns over brush abrasion, ensuring a service life comparable to an AC motor.

Safety voltage

The RD series power voltage is classified as safety voltage (50V or less), which allow the user to easily comply with international standards such as UL, CSA, CE and GS.

DC power system

The DC power system overcomes installation limits for voltage and frequency of each area.

Flow rate adjustment

Flow rate can be adjusted by means of an external signal of 1-5VDC.

Built-in drive circuit

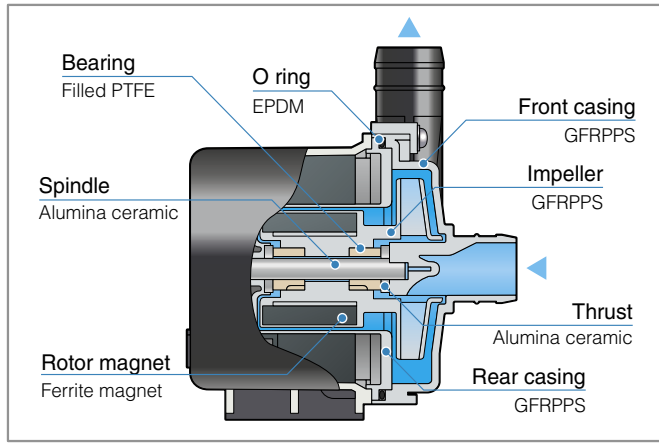
A drive circuit is fitted as standard inside the pump. Connect power to the pump and provide an external signal to start operation.

High temperature resistance

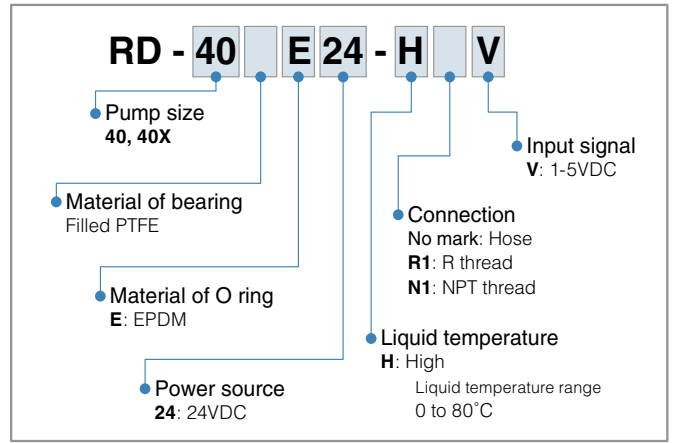
The pump can handle hot liquids up to 80°C.



Construction & Wet-end materials



Pump identification

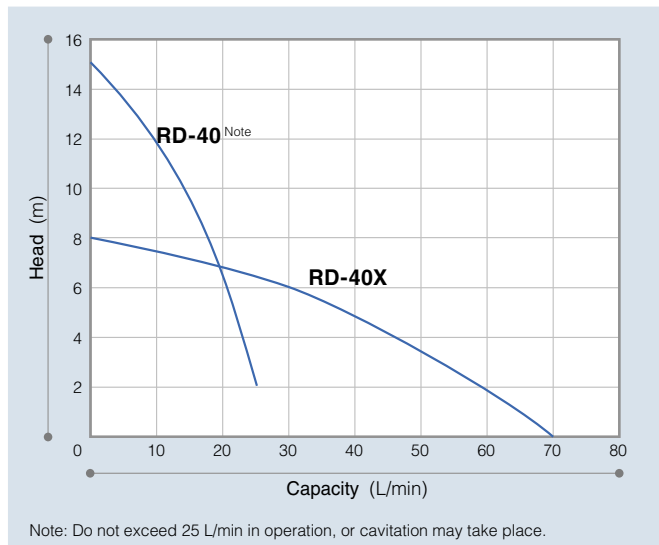


Specifications

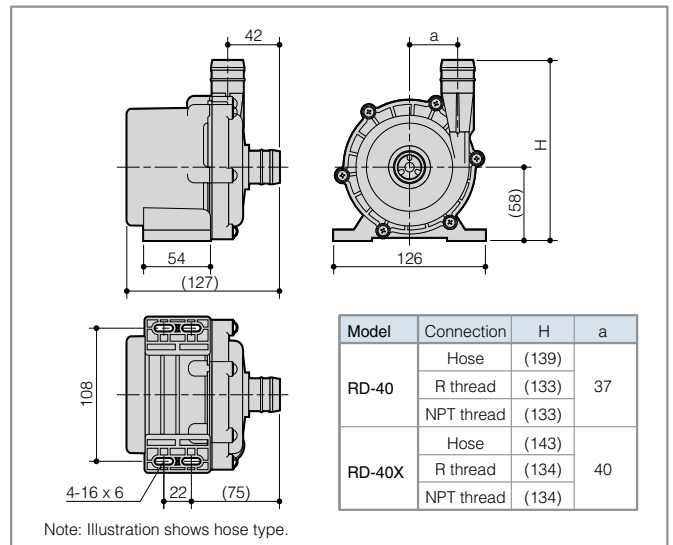
Model	Connection		Max. discharge capacity	Max. head	Max. SG	Motor		Mass
	IN	OUT				Output	Power source	
RD-40	ø26 mm	ø19 mm	25 L/min	15 m	1.0	85W	24VDC	1.5 Kg
	R1	R1/2						
	NPT1	NPT1/2						
RD-40X	ø26 mm	ø25 mm	70 L/min	8 m	1.0	72W	24VDC	1.5 Kg
	R1	R3/4						
	NPT1	NPT3/4						

- The data is collected from operation with clean water at room temperature.
- The maximum capacity is obtained based on the presumption that delivery head is at 0 m. The maximum head is obtained based on the presumption that discharge capacity is at 0 L/min.
- The maximum viscosity is 1 mPa·s when the maximum specific gravity is 1.0.
- Operating condition Ambient temperature: 0 - 40°C, Liquid temperature: 0 - 80°C, Ambient humidity: 35 - 90%RH

Performance curves



Dimensions in mm



www.iwakupumps.jp

IWAKI CO.,LTD. 6-6 Kanda-Sudacho 2-chome Chiyoda-ku Tokyo 101-8558 Japan TEL : (81)3 3254 2935 FAX : 3 3252 8892

EUROPE / U.S.A.

European office : IWAKI Europe GmbH
 Austria : IWAKI (Austria) GmbH
 Belgium : IWAKI Belgium N.V.
 Denmark : IWAKI Nordic A/S
 Finland : IWAKI Suomi Oy
 France : IWAKI France S.A.
 Germany : IWAKI Europe GmbH
 Holland : IWAKI Holland B.V.
 Italy : IWAKI Italia S.R.L.
 Norway : IWAKI Norge AS
 Spain : IWAKI Iberica Pumps, S.A.
 Sweden : IWAKI Sverige AB
 Switzerland : IWAKI (Schweiz) AG
 U.K. : IWAKI Pumps (UK) Ltd.
 U.S.A. : IWAKI America Inc.

TEL: (49)2154 9254 0
 TEL: (41)26 674 93 00
 TEL: (32)13 67 02 00
 TEL: (45)48 24 2345
 TEL: (358)9 2745810
 TEL: (33)1 69 63 33 70
 TEL: (49)2154 9254 50
 TEL: (31)547 293 160
 TEL: (39)02 990 3931
 TEL: (47)66 81 16 60
 TEL: (34)943 630030
 TEL: (46)8 511 72900
 TEL: (41)26 674 93 00
 TEL: (44)1743 231363
 TEL: (1)508 429 1440

FAX: 2154 9254 48
 FAX: 26 674 93 02
 FAX: 13 67 20 30
 FAX: 48 24 2346
 FAX: 9 2742715
 FAX: 1 64 49 92 73
 FAX: 2154 9254 55
 FAX: 547 292 332
 FAX: 02 990 42888
 FAX: 66 81 16 61
 FAX: 943 628799
 FAX: 8 511 72922
 FAX: 26 674 93 02
 FAX: 1743 366507
 FAX: 508 429 1386

ASIA / OCEANIA

Australia : IWAKI Pumps Australia Pty Ltd.
 China :
 Hong Kong : IWAKI Pumps Co., Ltd.
 Shanghai : IWAKI Pumps (Shanghai) Co., Ltd.
 Guangzhou : GFTZ IWAKI Engineering & Trading Co., Ltd.
 Beijing : GFTZ Iwaki Engineering & Trading Co., Ltd. (Beijing office)
 Korea : IWAKI Korea Co., Ltd.
 Malaysia : IWAKI Sdn. Bhd.
 Singapore : IWAKI Singapore Pte Ltd.
 Indonesia : IWAKI Singapore (Indonesia Branch)
 Taiwan : IWAKI Pumps Taiwan Co., Ltd.
 Thailand : IWAKI (Thailand) Co., Ltd.
 Vietnam : IWAKI Pumps Vietnam Co., Ltd.

TEL: (61)2 9899 2411
 TEL: (852)2607 1168
 TEL: (86)21 6272 7502
 TEL: (86)20 8435 0603
 TEL: (86)10 6442 7713
 TEL: (82)2 2630 4800
 TEL: (60)3 7803 8807
 TEL: (65)6316 2028
 TEL: (62)21 6906606
 TEL: (886)2 8227 6900
 TEL: (66)2 322 2471
 TEL: (84)613 933456

FAX: 2 9899 2421
 FAX: 2607 1000
 FAX: 21 6272 6929
 FAX: 20 8435 9181
 FAX: 10 6442 7712
 FAX: 2 2630 4801
 FAX: 3 7803 4800
 FAX: 6316 3221
 FAX: 21 6906612
 FAX: 2 8227 6818
 FAX: 2 322 2477
 FAX: 613 933399

⚠ Caution for safety use: Before use of pump, read instruction manual carefully to use the product correctly.
 Actual pumps may differ from the photos. Specifications and dimensions are subject to change without prior notice. For further details please contact us.

⚠ Legal attention related to export.

Our products and/or parts of products fall in the category of goods contained in control list of international regime for export control.
 Please be reminded that export license could be required when products are exported due to export control regulations of countries.

