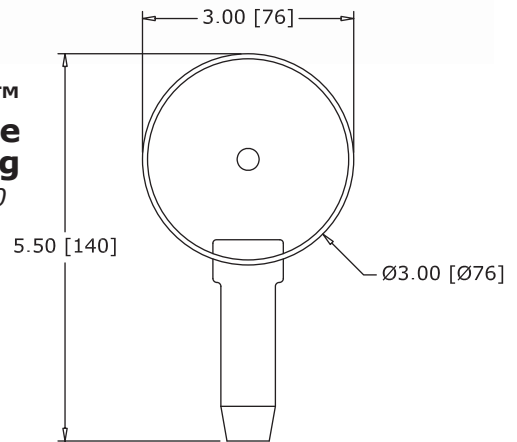


JetBlast™ Air Knife



**JetBlast™
Profile
Drawing**
PN 20060



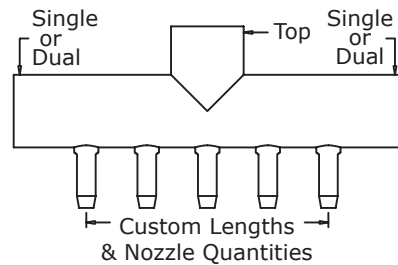
100% Stainless Steel Construction

Custom Lengths per Application.

JetAir Application Engineers will specify and size JetBlast™ Air Knives to your specific application.

Custom Nozzle Configurations Available.

Inlet Positions



JETAIR™
TECHNOLOGIES, LLC

1884 Eastman Ave. #112, Ventura, CA 93003 805-654-7000 Main www.jetairtech.com