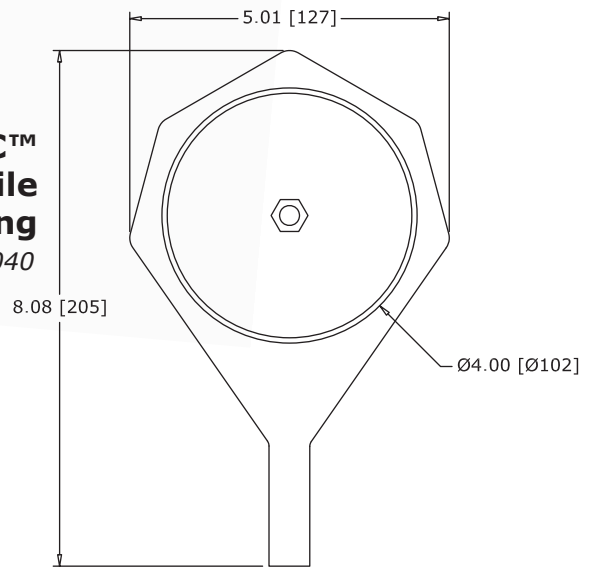


LXC™ Air Knife



Optional Bubble
Level Indicator
Shown

**LXC™
Profile
Drawing**
PN 20040



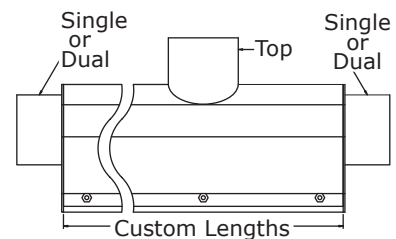
**100% Stainless Steel Construction;
10 Gauge Heavy-Duty.**

**Long Nose Design Straightens Air Flow
to eliminate turbulent air swirling.**

Custom Lengths per Application.
JetAir Application Engineers will specify and
size LXC™ Air Knives to your specific
application and blower HP[kW].

**Gap Adjustable: 0.02"[0.5mm] to
0.375"[10mm].**

Inlet Positions



JETAIR™
TECHNOLOGIES, LLC

1884 Eastman Ave. #112, Ventura, CA 93003 805-654-7000 Main www.jetairtech.com