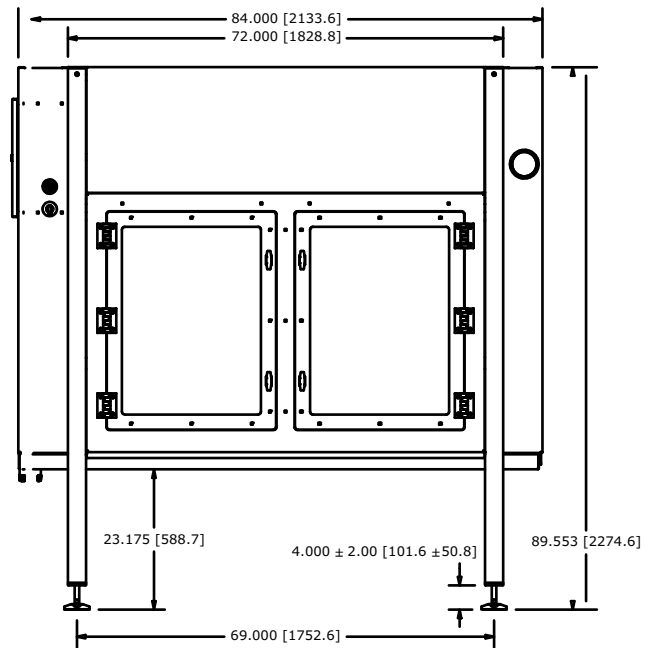
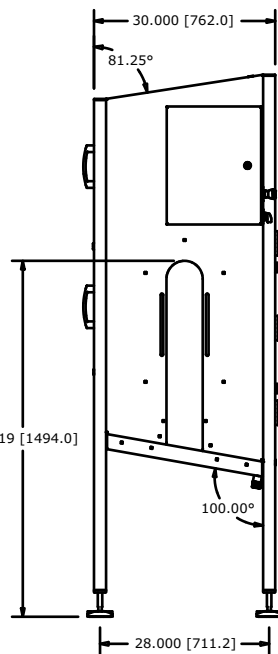


JetTunnel™ Drying Solution

- Complete Integrated Solution: Shields, Blower Enclosure and Electrical Panel.
- Blowers located above conveyor lane.
- Spray Protection
- Air Noise Reduction
- Large Access Windows
- Self-Support Air Components
- JetSet Air Component Adjustment Rails for simple and fast change-overs
- Rugged Stainless Steel Construction
- 48", 84", 156" Lengths
72" Drawing shown below.



JetTunnel™



JETAIR™
TECHNOLOGIES, LLC

JetAir Technologies, LLC
1884 Eastman Ave., #112
Ventura, California 93003
805-654-7000 Main
805-654-7064 Facsimile
www.jetairtech.com